

Operating Manual



UNIMET® 300ST

**Testing system for
electrical safety**

Software version: 3.2 and later



Bender GmbH & Co. KG
Londorfer Str. 65 • 35305 Grünberg • Germany
Postfach 1161 • 35301 Grünberg • Germany

Tel.: +49 6401 807-0
Fax: +49 6401 807-259

E-mail: info@bender-de.com
Web: <http://www.bender-de.com>

© Bender GmbH & Co. KG

All rights reserved.
Reprinting only with permission
of the publisher.
Subject to change!

Table of Contents

1. How to get the most out of this manual	5
1.1 About this operating manual	5
1.2 Technical support	5
1.3 Explanation of symbols and notes	6
2. Safety instructions	7
2.1 Delivery	7
2.2 Intended use	7
2.3 Skilled persons	7
2.4 General safety instructions	7
2.5 Delivery conditions, guarantee, warranty and liability	8
3. System description	9
3.1 Function	9
3.2 Standard-compliant tests	10
3.3 System components	10
3.4 Controls	12
4. Operation and configuration	13
4.1 Commissioning	13
4.1.1 Connecting a printer	14
4.1.2 Connecting the keyboard and barcode scanner	14
4.2 Principle of operation	14
4.2.1 Operating the device	14
4.2.2 Operation via the keyboard	15
4.2.3 Reading in with the barcode reader	15
4.3 Main menu	16
4.4 Test engineer catalogue	16
4.5 Device settings	19
4.5.1 Test probe calibration	20
4.5.2 Device type query	21
4.5.3 Warm-up and cool-down period	21
4.5.4 Changing the company name	22
4.5.5 Time/date	22

4.5.6	RS-232 parameters	23
4.5.7	Buzzer On/Off	24
4.5.8	Summer time/winter time	24
4.5.9	Language/Sprache	25
4.5.10	Firmware update	25
4.6	Information	28
5.	Testing and measuring	29
5.1	Testing via classification	29
5.1.1	Classification	29
5.1.2	Tests	33
5.1.3	Evaluating the test result	40
5.2	Recurrent test and device catalogue	41
5.2.1	Collective printout	42
5.2.2	Backing up the device catalogue	43
5.3	Single test	49
6.	Maintenance and calibration	51
6.1	Calibration	51
6.2	Changing the battery	51
6.3	Error messages	51
6.4	Disposal	52
7.	Data	53
7.1	Standards	53
7.1.1	Application standards	53
7.1.2	Design standards	53
7.2	Test steps	54
7.3	Technical specifications	56
7.4	Ordering data	57
INDEX	59

1. How to get the most out of this manual

1.1 About this operating manual

This operating manual describes the UNIMET® 300ST with the software version indicated on the cover page. The functions and processes described may vary from those featured in other versions. It is designed for electrically skilled persons working in electrical engineering and electronics.

Please read this operating manual before using the devices. This documentation must be kept in an easily accessible location near to the device.

Although great care has been taken in the drafting of this operating manual, it may nevertheless contain errors and mistakes. The Bender Group cannot accept any liability for injury to persons or damage to property resulting from errors or mistakes in this manual.

Each of the registered trademarks which appears in this document remains the property of its owner.

1.2 Technical support

As a Bender customer, you will receive technical support and assistance in the event of queries relating to equipment you have purchased. Please contact our Service Department or your next Bender agency for more information:

Service-Hotline:
0700-BenderHelp (Telefon und Fax)
Carl-Benz-Straße 8 • 35305 Grünberg • Germany
Tel: +49 6401 807-760 • Fax: +49 6401 807-629
E-Mail: info@bender-service.com • www.bender-de.com

1.3 Explanation of symbols and notes

The following terms and symbols are used to denote hazards and instructions in Bender documentation:



Danger!

This symbol indicates an immediate risk to life and limb. Failure to observe the associated instructions and take appropriate precautions will result in death, serious physical injury or substantial damage to property.



Warning

This symbol indicates a potential risk to life and limb. Failure to observe the associated instructions and take appropriate precautions may result in death, serious physical injury or substantial damage to property.



Caution

This symbol indicates a potentially dangerous situation. Failure to observe the associated instructions and take appropriate precautions may result in minor physical injury or damage to property.



This symbol indicates important information about the correct use of the equipment purchased. Failure to observe the associated instructions can result in equipment malfunctioning or cause problems in the environment in which it is being used.



This symbol indicates tips for using the equipment and particular useful information. This type of information will help you to optimise your use of the equipment.

2. Safety instructions

2.1 Delivery

Inspect the dispatch packaging and equipment packaging for damage, and compare the contents of the package with the delivery documents. Equipment damaged in transit must not be used. If equipment has been damaged in transit, contact Bender immediately.

Equipment may only be stored in areas where it is protected against dust, damp, spray water and dripping water and where the specified storage temperatures can be assured.

The selling company's "General conditions of sale and delivery" always apply.

2.2 Intended use

The UNIMET® 300ST has been designed exclusively for use in the area of application stipulated in the chapter entitled "System description" on page 9.

Intended use also implies:

- Observance of all instructions in this operating manual and
- Compliance with any test intervals

Use which deviates from or is beyond the scope of these technical specifications is considered non-compliant. The Bender Group cannot accept any liability for damage resulting from such use.

2.3 Skilled persons

Only electrically skilled persons may work on Bender products. Personnel who are familiar with the installation, commissioning and operation of the equipment and have undergone appropriate training are considered skilled persons. Such personnel must have read this manual and understood all instructions relating to safety.

2.4 General safety instructions

Bender devices are designed and built in accordance with the state of the art and accepted rules in respect of technical safety. However, the use of such devices may introduce risks to the life and limb of the user or third parties and/or result in damage to Bender devices or other property.

- Only use Bender equipment:
 - As intended
 - In perfect working order
 - in compliance with the accident prevention regulations and guidelines applicable at the location of use
- Eliminate all faults that may endanger safety immediately
- Do not make any unauthorised changes and only use replacement parts and optional accessories purchased from or recommended by the manufacturer of the equipment. Failure to observe this requirement can result in fire, electric shock and injury
- Information plates must always be clearly legible. Replace damaged or illegible plates immediately.

2.5 Delivery conditions, guarantee, warranty and liability

The conditions of sale and delivery set out by Bender apply.

For software products, the "Softwareklausel zur Überlassung von Standard-Software als Teil von Lieferungen, Ergänzung und Änderung der Allgemeinen Lieferbedingungen für Erzeugnisse und Leistungen der Elektroindustrie" (software clause in respect of the licensing of standard software as part of deliveries, modifications and changes to general delivery conditions for products and services in the electrical industry) set out by the ZVEI (Zentralverband Elektrotechnik- und Elektronikindustrie e.V., the German Electrical and Electronic Manufacturers' Association) also applies.

Delivery and payment conditions along with a copy of the software clause can be obtained from Bender in printed or electronic format.

3. System description

3.1 Function

The UNIMET® 300ST is used to test electrical safety. It has been designed for following areas of use:

- Hospital and care beds
- "Prüfung nach Instandsetzung, Änderung elektrischer Geräte - Wiederholungsprüfung elektrischer Geräte" (Inspection after repair, modification of electrical appliances - Periodic inspection on electrical appliances) DIN VDE 0701-0702 (VDE 0701-0702):2008-06
- with appropriate adapter* also protection class I and II three-phase electrical equipment according to DIN VDE 0701-0702 and DIN EN 62353

* Use the DS32DCT three-phase current adapter to test devices **not** being in operation.

Use the DS32A three-phase current adapter to test devices during operation.

The test system supplies measurement results which it evaluates immediately in order to classify the test as "passed" or "failed". The test sequence which follows classification contains a visual inspection and a functional test in addition to the electrical tests. The test sequence can be carried out automatically or manually depending on the device under test.

The test results can be displayed on the screen, saved or printed out using an external printer. In the event of unexpected results, the DUT can be inspected in more detail by carrying out a single test. The device catalogue provides memory space for the test results from up to 600 tested beds or devices.

Tests can be transferred to a PC software program via the RS-232 interface. This software is included with the UNIMET® 300ST. For recurrent tests, the data stored in the PC software are transferred back to the UNIMET® 300ST. The RS-232 interface is also used for any subsequent updates of the internal operating software on the test system.

The test engineer catalogue can be beneficial if more than one person is working with the test system. Test engineers already registered on the system are simply selected from this folder. There is no need to re-enter the name of the test engineer. The names of up to ten test engineers can be stored.

The LC display is backlit. For entering data, a standard keyboard or barcode reader can be connected to the PS/2 interface.



UNIMET® 300ST has been designed solely for use with earthed systems. If the test system is used other than as intended, i.e. on an IT system, the measured values of any leakage currents will not be reproducible. The test result cannot be used. Alternative measurements of leakage currents, however, carried out with the UNIMET® 300ST in IT systems will deliver correct test results.

3.2 Standard-compliant tests

The UNIMET® 300ST carries out measurements and tests according to the following standards (see also chapter "7.1 Standards"):

- IEC 62353:2007-05
- DIN EN 62353 (VDE 0751-1):2008-08
- ÖVE/ÖNORM EN 62353:2009-01-01
- DIN VDE 0701-0702 (VDE 0701-0702):2008-06
- ÖVE E8701-1:03-01

The UNIMET® 300ST carries out the following measurements and tests:

- Visual inspection
- System voltage
- Measurement of current consumption and calculation of power consumption
- PE resistance for Protection Class I equipment
- Insulation resistance
- Equipment leakage current according to the differential measurement method or by direct measurement
- Equipment leakage current -Alternative method
- Touch or PE conductor current according to the differential measurement method or by direct measurement
- Functional test

3.3 System components

The following accessories are supplied with the UNIMET® 300ST test system:

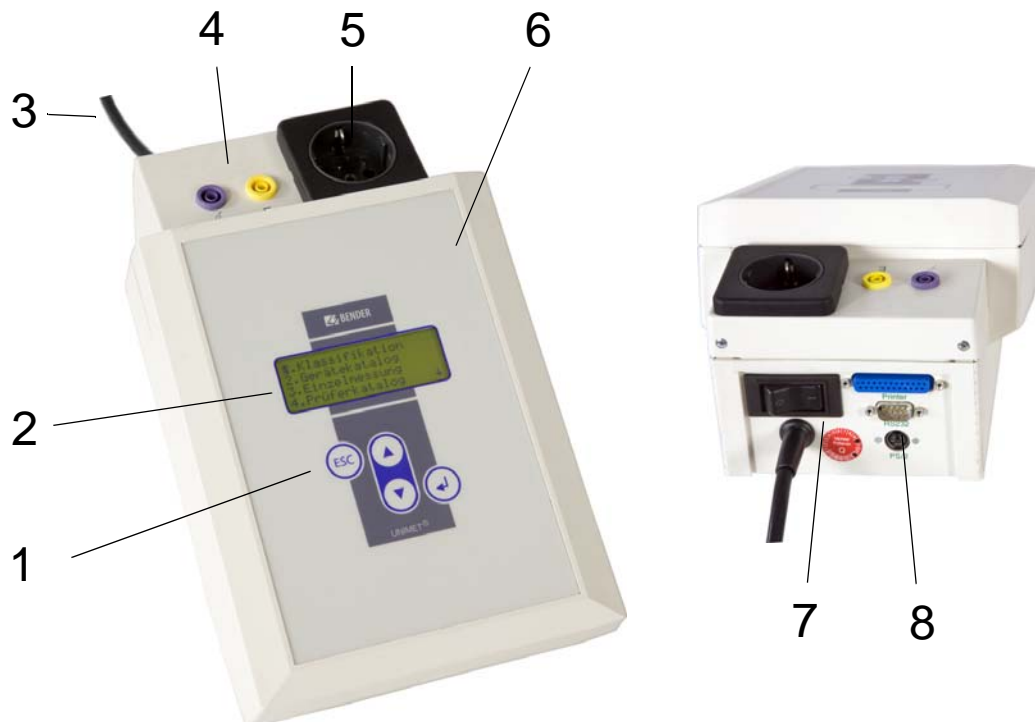
1	Carrying bag	For the storage and transport of the test system and its accessories. Accessories are kept in the side pocket and the inside pocket.
2	Test probe	For testing accessible parts of the DUT
3	Test terminal (safety claw grip)	For connection to accessible parts of the DUT
4	Interface cable (null modem cable)	Enables data to be exchanged between the test system and a PC (RS-232 interface)
5	Calibration certificate	Proof of the calibration carried out in the factory
6	Technical device manual on CD	Test system manual
7	UNIData300 PC software (CD)	UNIData300 software for - backing up the device catalogue on a PC - transferring a firmware update to the UNIMET® 300ST
8	VK701-6 Adapter Schuko (German)	For testing extension cables and socket strips
9	VK701-7 Adapter for non-heating appliances	For testing device connecting cables
10	USB1.1 RS-232 converter	Enables data exchange between the RS-232 interface of the UNIMET® 300ST and the USB port of a PC (with installation CD)

The test system and its accessories



Fig. 3.1: Accessories

3.4 Controls



1	Control buttons
2	Backlit LCD for displaying the user menu and the measurement results. Four lines of 20 characters each.
3	Permanently attached power cable for connection to the supply voltage.
4	Sockets - violet: Connection for test probe for testing accessible parts of the device under test. - yellow (E): for a second measuring lead when the low-resistance continuity of the PE conductor is to be measured between two points (e.g., on single-phase, permanently installed devices or extension cables).
5	Test socket: This is where the DUT's power supply cable is plugged in.
6	Durable plastic enclosure, with pushbuttons for safe storage in the carrying bag.
7	Power switch with thermo-magnetic circuit-breaker.
8	Interfaces - RS-232 interface, 9-pin, galvanically isolated, for connection to a PC - Centronics interface for connection to a printer - PS/2 port for connection to an external standard keyboard and a barcode reading wand or scanner.

4. Operation and configuration

4.1 Commissioning



Warning

Inspect UNIMET® 300ST, its supply cable and measuring leads connected to it for visible damage on the outside. Do not operate equipment showing any visible damage.

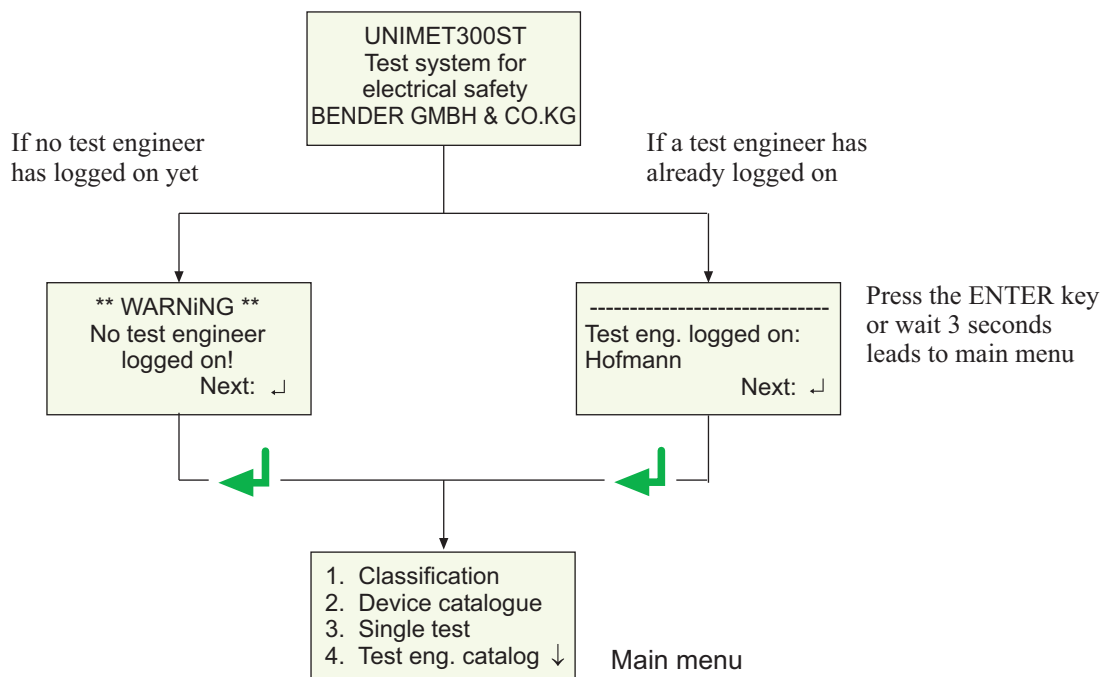


Caution

The UNIMET® 300ST must always be connected to the supply voltage indicated on the nameplate. Failure to observe this requirement may damage the test system and any device under test connected to it.

1. Lay the UNIMET® 300ST down on an even surface with the coloured edges of the bag facing up. Open the two covers (Velcro fasteners).
2. Connect the UNIMET® 300ST to the supply voltage using the permanently attached power cable.
3. Switch on the device using the power switch.

The test system logs on with a beep (only when the buzzer is switched on) and displays the welcome text:



The test system is now ready for operation. The main menu appears.

4.1.1 Connecting a printer



Caution

Earthed printers can affect the measurements. Therefore, during the measurements, make sure that either

- the Centronics interface is not connected to an earthed printer or*
- the Centronics interface is electrically isolated via a suitable component.*

A printer can be connected to print out the test results. Providing that:

- The printer used has an IBM 8-bit character set
- The printer is set to IBM emulation

GDI printers (GDI = Graphic Device Interface) are not suitable for the UNIMET® 300ST.

You need a standard printer cable (25-pole D-Sub plug to Centronics) to connect the printer. This cable is not included with the equipment.

4.1.2 Connecting the keyboard and barcode scanner




A keyboard and/or barcode reading wand or barcode scanner can be used to make it easier to input the ID numbers and names of test engineers. UNIMET® 300ST supports the PS/2 interface to which either a standard keyboard, a PS/2 barcode-pen reader or PS/2 barcode scanner can be connected. If an AR100 barcode-pen reader is connected to a PS/2 keyboard switch cable (see "Ordering data" auf Seite 57.), it can be connected to a keyboard at the same time. If no keyboard is connected, then plug the keyboard simulator supplied with the AR100 barcode-pen reader to this port.

The keyboard and barcode pen reader or barcode scanner can be plugged in and unplugged during operation. Adjustments on the UNIMET are not necessary. The keyboard and barcode pen reader must not be connected before switching on the UNIMET. This increases flexibility during testing. When the UNIMET detects a PS/2 keyboard, then the "Num-Lock" LED lights up. The LED indicates that the keyboard is ready.

4.2 Principle of operation

4.2.1 Operating the device

All the functions of the UNIMET® 300ST are controlled using the four control keys and the displays on the screen. The current position on the menus is indicated by a flashing marker (cursor).

 	Use the arrow buttons to move the cursor up or down on the menus.
	Use the Enter button to confirm selection of the current menu item.
ESC	The ESC button enables you to leave functions without making changes. It also enables you to return to the main menu.

4.2.2 Operation via the keyboard

An external keyboard makes it easy to enter the names and ID numbers of the test engineers. You can also operate the UNIMET entirely via the keyboard. The Cursor block "↑", "↓", "←" "ENTER" and "ESC" keys have the same function as the buttons on the front of the UNIMET.

Note when entering text:

- The text entry cannot be longer than 20 characters. The UNIMET will truncate longer entries to 20 characters.
- You can enter all characters which can be selected directly on UNIMET.
- Upper and lower case is available but not umlauts.
- The numeric keypad can only be used to enter digits. The LED "Num-Lock" therefore lights up constantly.
- When entering text, the following keys can be used to edit the text:
"←", "→" (Cursor block), "←" (Backspace), Del, Home.
- Entries via the keyboard can also be combined with texts read in from the barcode scanner and barcode reading wand.
- Save the entry after entering the last character by
 - by holding down the Enter button "↵" on the UNIMET for approx. 3 seconds
 - or by pressing the "↵" ENTER key on the keyboard once.

4.2.3 Reading in with the barcode reader

Refer to the operating instructions for the barcode reading wand or barcode scanner.

The AR100 barcode reading wand (see "Ordering data" auf Seite 57.) reads more reliably by sweeping it quickly over the barcode. Also follow the instructions for the barcode reading wand. Barcodes can be read both forwards and backwards.

The data string which is read in can be up to 20 characters long. The UNIMET will truncate longer entries to 20 characters.

When reading in the names and ID numbers of new test engineers, the input screen will remain open. This allows you to check the entry and change or replace it if necessary. .

- You can delete the entry and go to the previous menu by holding down
 - the "ESC" button on the UNIMET for approx. 3 seconds
 - or by pressing the "ESC" key on the external keyboard once.
- Save the entry by holding down
 - the Enter button "↵" on the UNIMET for approx. 3 seconds
 - or by pressing the "↵" Enter key on the external keyboard once.

You can use the barcode scanner or barcode reading wand to call up tests from the device catalogue again using the ID number. In this case, after successfully reading in the barcode, it will immediately switch to the next screen of the operating process.

4.3 Main menu

All UNIMET[®] 300ST functions and submenus can be accessed from the main menu.

Menu item	Function	Page
1. Classification	Answer the questions that appear on the screen. The test system will identify the required test steps and limits to be observed. The assisted test sequence will guide you through all necessary steps to be taken.	29
2. Device catalogue	The test results, tests and limits of the device tested by the test system are stored in the device catalogue.	41
3. Single test	Test steps can be called up in the form of single tests and repeated as often as required.	49
4. Test engineer catalogue	Select test engineer, enter new test engineer, delete test engineer	16
5. Device setting	Settings for test probe, type query, warm-up period, company name, clock, RS-232 interface, buzzer, language and update	19
6. Info	Provides information about the device names, software version and serial number of the device.	28

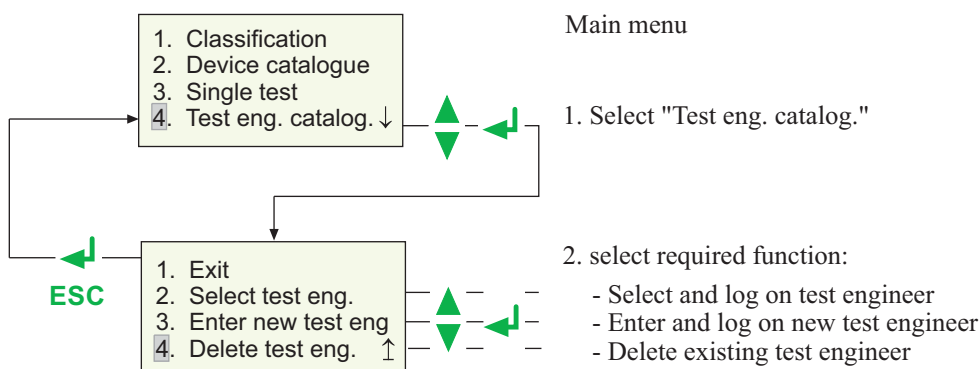
Each submenu is accessed by selecting it with the arrow buttons and confirming by pressing the "↵" button.

4.4 Test engineer catalogue

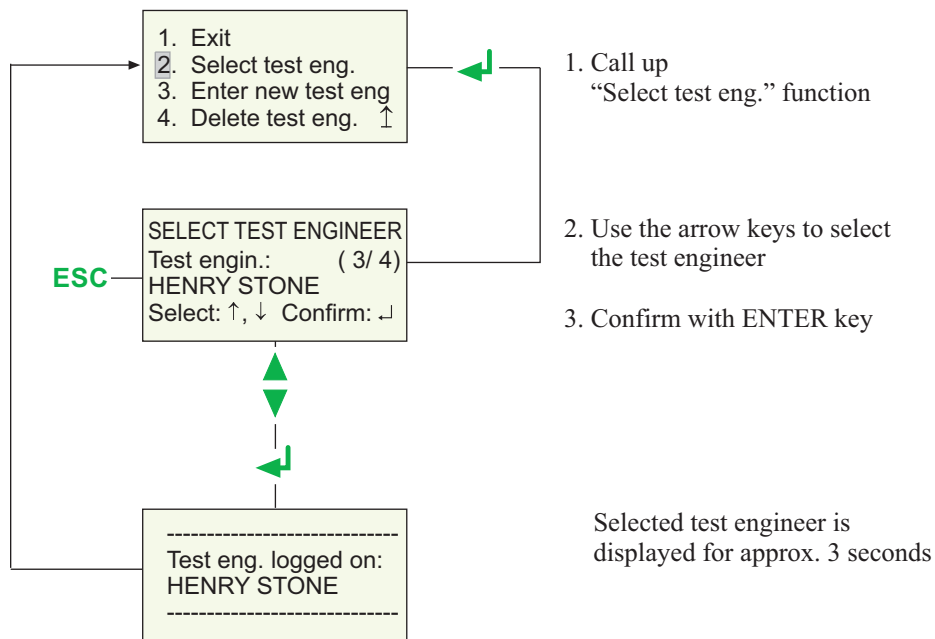
The names of the test engineers are stored in the "Test engineer catalogue". The test engineer whose name appears in the test protocol is also logged on here. You should therefore set the name of the test engineer before carrying out the first test.

The test catalogue can be particularly beneficial if more than one person is working with the test system. Test engineers already registered on the system are simply selected from the test catalogue using the arrow buttons. There is no need to re-enter the name of the test engineer.

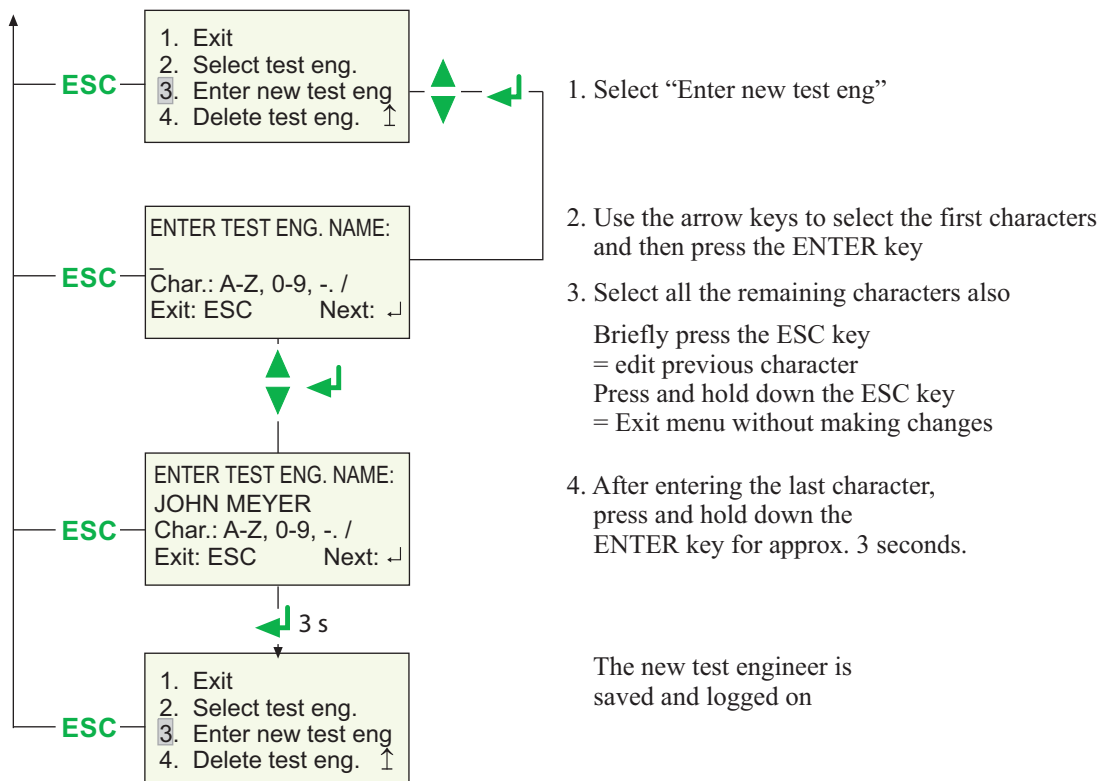
A name of a test engineer cannot be longer than twenty characters. The names of up to ten test engineers can be stored.

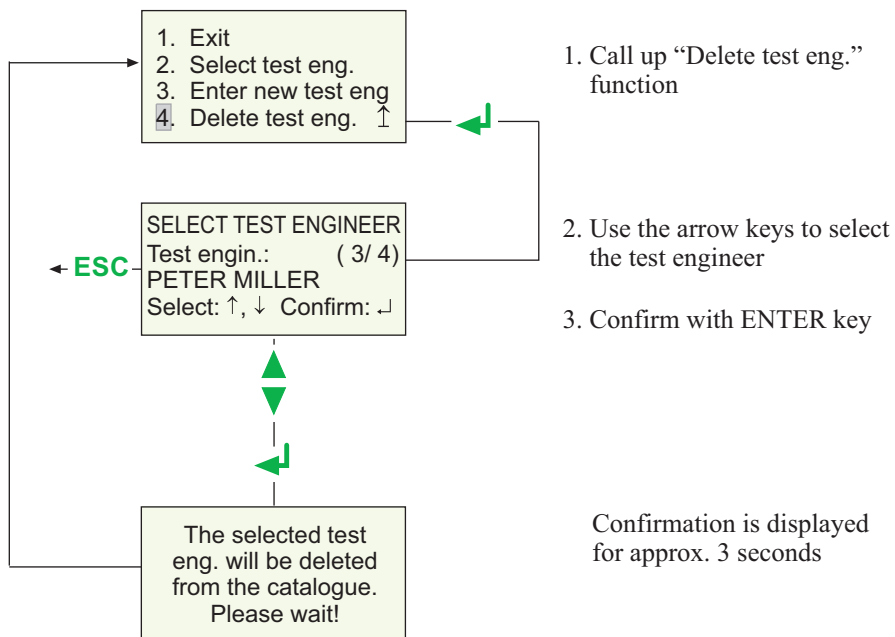


Select the name of a test engineer (log on) as follows:



To enter the name of a new test engineer:



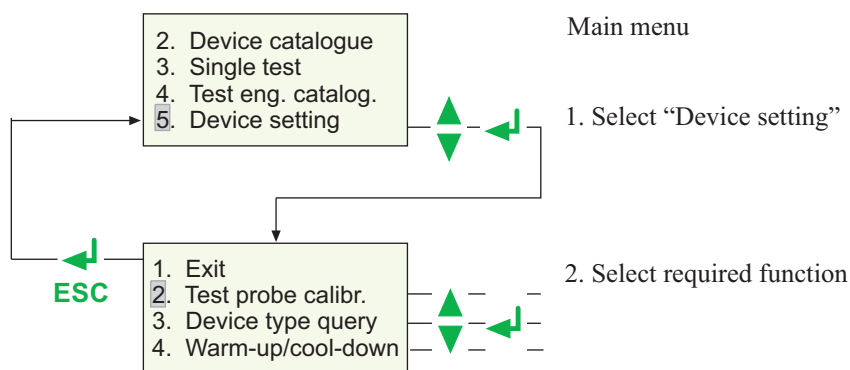
To delete the name of a test engineer:

4.5 Device settings

Some of the following settings are used in generating reports to record the test results. You should therefore check these settings before carrying out the first test.

Menu item	Function	Page
1. Exit	Returns to the main menu	-
2. Test probe calibration	Zero calibration test probe	20
3. Device type query	This is where you determine whether another device type is to be queried and stored in addition to the device ID.	21
4. Warm-up/cool-down	Setting for devices which require a warm-up period before the test and cool-down period after the test.	21
5. Change comp. name	The company name entered here will appear on the printout of the test report and after switching on the device on line 4 of the welcome menu.	22
6. Time/date	Set system time and date	22
7. RS-232 parameters	Set data transfer speed	23
8. Buzzer On/Off	Switch buzzer on or off	24
9. Summer/wintertime	Automatic switchover from summer time to winter time	24
10. Language/Sprache	Select German or English for user menus and protocol text. Activate settings for use in Austria.	25
11. Firmware update	Load new version of operating software	25

To access the device settings:



4.5.1 Test probe calibration

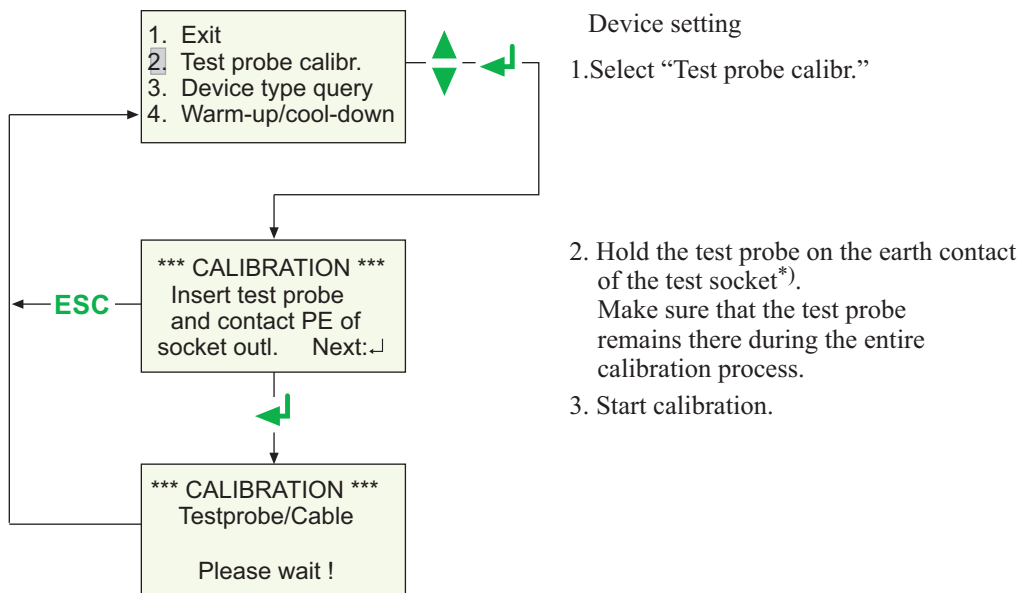
Zero balance must be carried out for the UNIMET® 300ST test probe. As with an ohmmeter, this ensures that the ohmic resistance of the test probe will not affect the PE conductor test result.

Recalibrate each time after connecting

- another test probe,
- another measuring lead,
- or a three-phase adapter

to the test system.

Proceed as follows to calibrate the test probe:



*) With permanently connected Protection class I devices or extension cables also, the low resistance continuity of the PE conductor can be tested. The measurement is carried out between the test probe and the measuring lead connected to the yellow socket E.

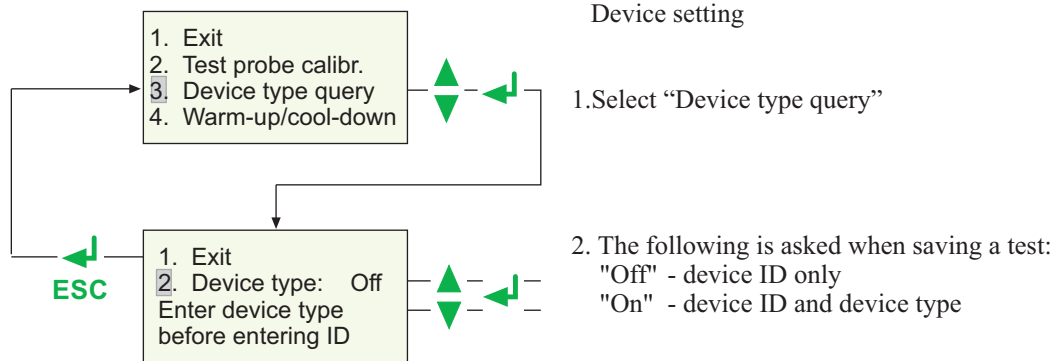
Before the test, a single zero calibration must be carried out with the test probe and the measuring lead.

Carry out a zero calibration again if you want to run the PE conductor test with the test probe on equipment with Schuko plug.

Failure to follow these instructions may lead to false test results.

4.5.2 Device type query

Test results are often stored in the PC software. If the device to be tested is to be sorted in the software according to type, the type name can be entered in the UNIMET when carrying out the test. In this case, select "Device type query: On". The setting applies until it is changed again.

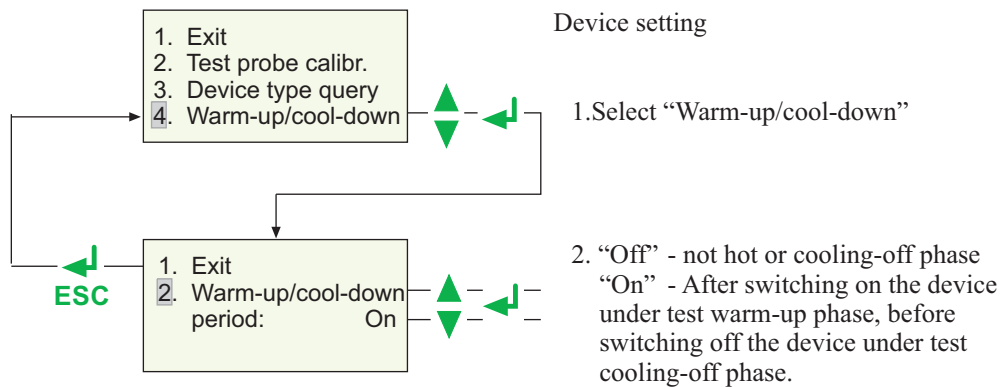


4.5.3 Warm-up and cool-down period

Once they have been switched on, an increasing number of DUTs need to complete a self-test and warm-up period, followed by a cool-down period prior to shutting down. Examples include computers, processor-controlled devices and laser equipment. For these devices, the UNIMET® ST may only start the measurements once the DUT has warmed up or "booted up". Otherwise, there is a risk that the parts of the device to be tested will only have switched on partially or not at all, and therefore will not be tested.

Once the measurements are complete, the UNIMET may only shut down the DUT once it has shut down or cooled down. Otherwise, on laser equipment, there is the risk of overheating or, on a computer, of sectors of the hard disk becoming unusable.

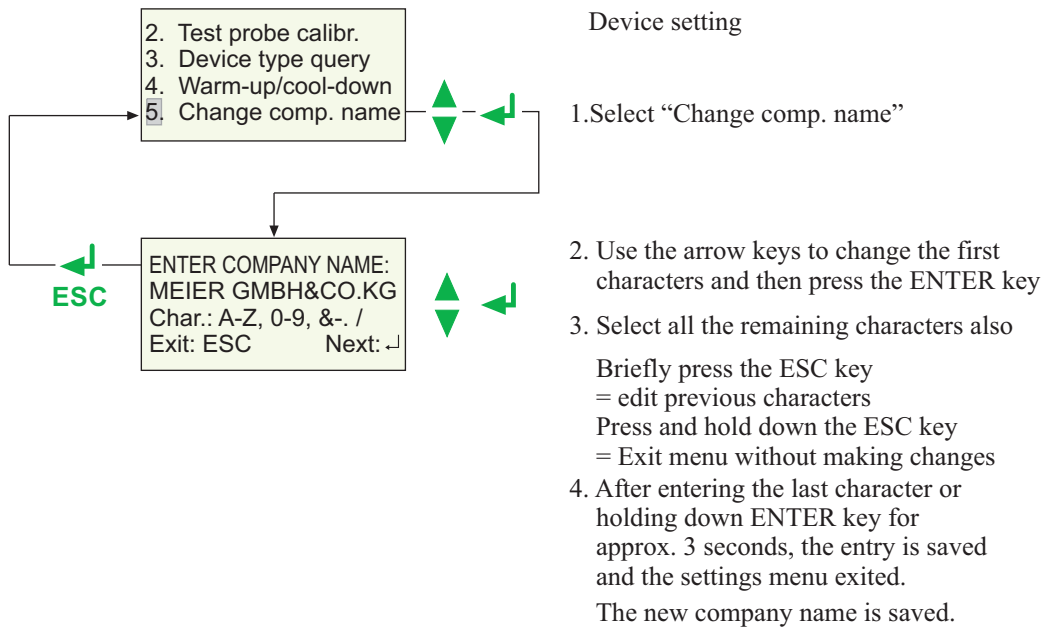
Select "Warm-up/cool-down period: On".



The settings selected for the "Warm-up/cool-down period" applies to all devices under test for which the test has been put in operation. The settings remains until it has been changed again.

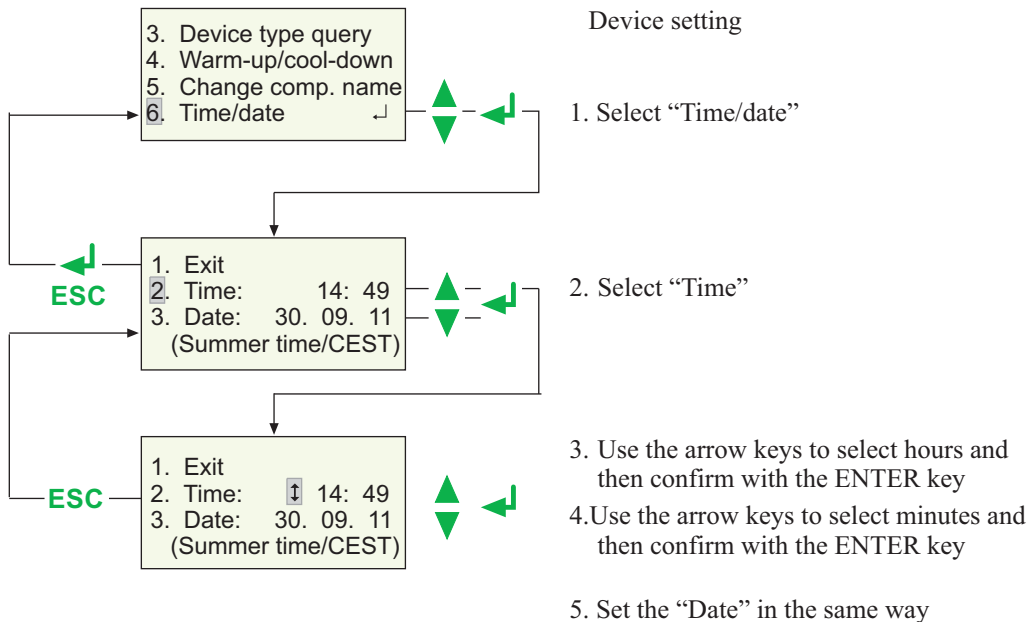
4.5.4 Changing the company name

The company name must consist of no more than 20 characters. It is printed as a header on the test report.



4.5.5 Time/date

Proceed as follows to set the time and date:



The UNIMET® 300ST clock is powered by a battery with a service life of approximately four years (see also chapter "6.2 Changing the battery").

On the submenu 7 (see chapter "4.5.8 Summer time/winter time") you can also set whether the switchover from summer time to winter time is to be automatic. If the note on the 4th line of the "Time/Date" setting refers to the current date: If the automatic switchover is enabled and the following appears during the summer: 'Summer/ CEST' and during the winter 'Wintert/CET'.

CEST = Central European Summer Time
 CET = Central European Time

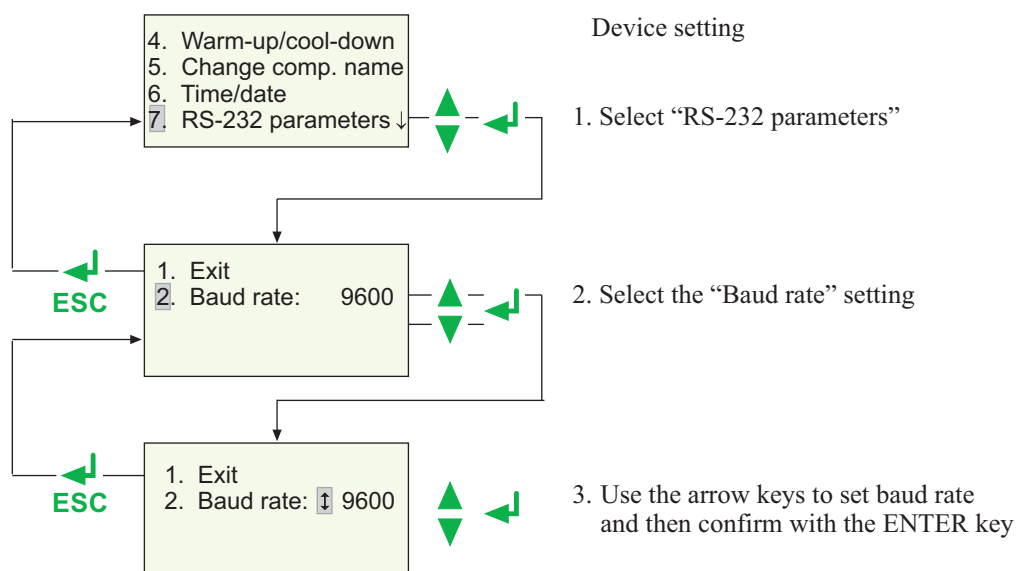
4.5.6 RS-232 parameters

The UNIMET[®] 300ST can be connected to a PC via the RS-232 interface. The baud rate gives the data transfer rate in bits per second.



The baud rate on the test system and the PC (or in the PC software) must always be set to the same value! Data transfer can only be performed if the two settings match.

Proceed as follows to adjust the parameters of the RS-232 interface:



The following baud rates are available for the setting: 9600, 19200, 38400, 57600 baud

The other parameters of the RS-232 interface are fixed as follows:

Data bit	7
Stop bit	1
Parity	even

The interface cable supplied (null modem cable or USB1.1-RS-232 converter) is required for the data transfer. The data transfer is always initiated by the PC software. No operation is required on the test system for this to happen. For further information, please see the instruction manual for the PC software.

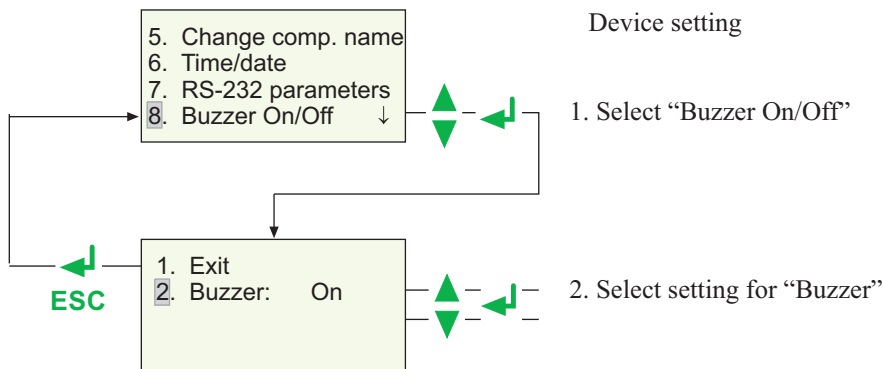


Caution

The data transfer may not start if just one measurement or single test is carried out.
Failure to observe this requirement may damage the UNIMET® 300ST and any device under test connected to it.

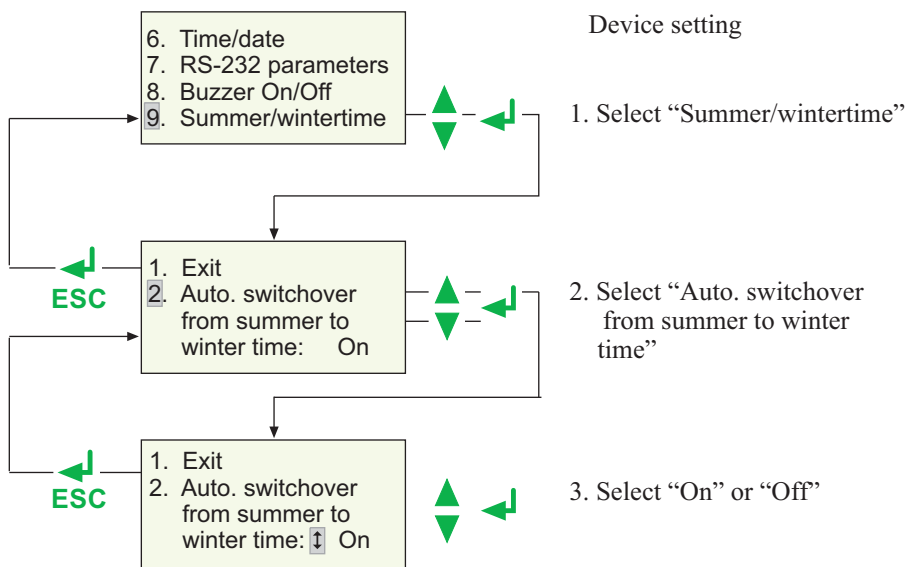
4.5.7 Buzzer On/Off

Proceed as follows to turn the UNIMET® 300ST buzzer on or off:



4.5.8 Summer time/winter time

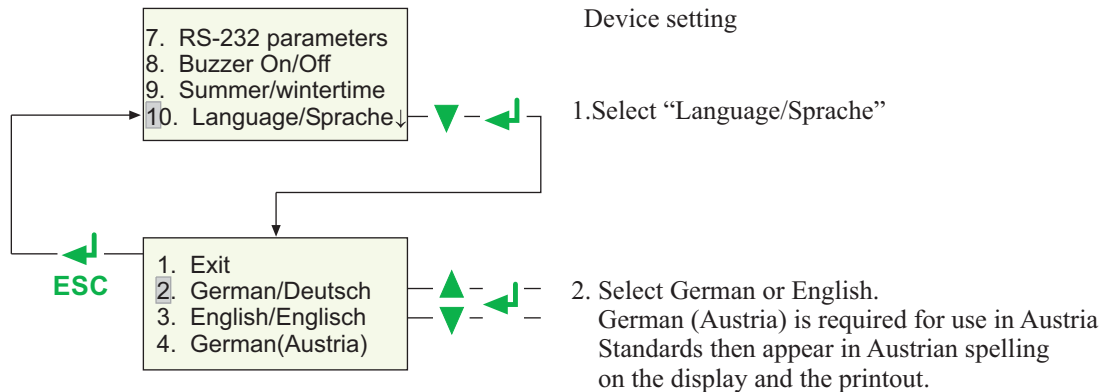
Proceed as follows to select whether the switchover from summer time to winter time should occur automatically:



Automatic switchover from summer time to winter time applies to most European countries (exceptions are e.g. England). Turn off the automatic switchover when using the test system in areas where this time change does not apply.

4.5.9 Language/Sprache

User menus and printouts of the test report may be in German or English. Proceed as follows to select the language:



4.5.10 Firmware update

UNIMET[®] 300ST is controlled by an operating software (firmware). New versions are available online at www.bentron.de. The update is provided as a file with the extension ".hex".



An update will not delete data saved in the device catalogue. However, we strongly recommend making a backup copy before updating the device catalogue on a PC! Other information is available in the chapter "Backing up the device catalogue" on page 43.




From version 3.00 onwards, UNIMET[®] 300ST devices are equipped with a new hardware. When trying to install the operating software 3.00 on an older device, it cancels the update.

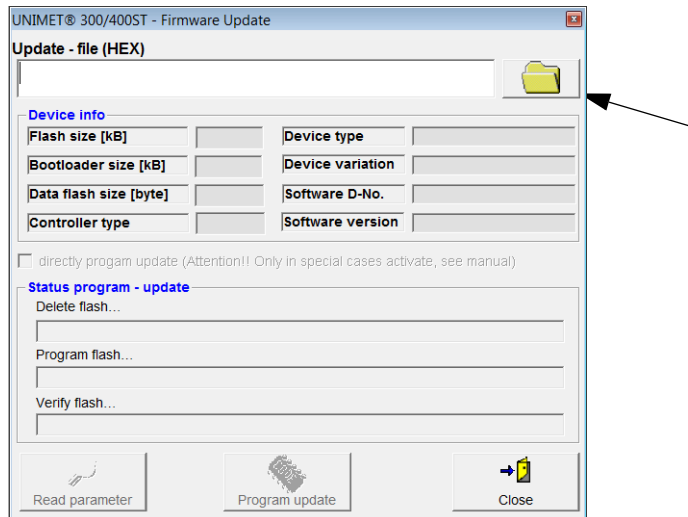
To transfer the updates from the PC to the UNIMET, you will need the PC software UNIData300.

To prepare the update:

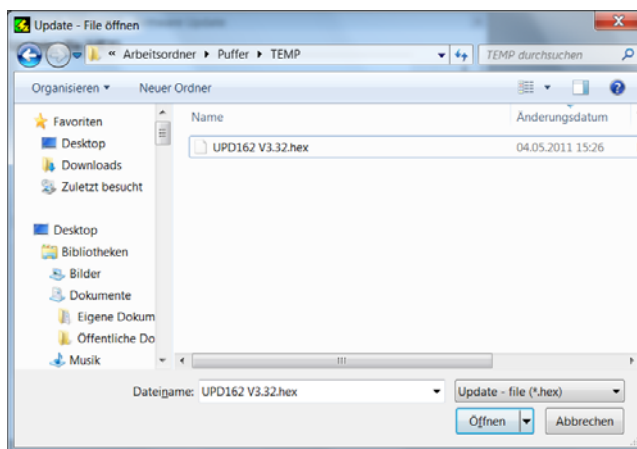
1. UNIData300 is on the CD supplied with the device. It is designed to operate on PCs with Windows[®] 2000 (with Service Pack 3) or higher.
 - If the version of the program on your PC is older, first uninstall the older UNIData300 version.
 - Open the folder UNIData300 and install the software by executing the file "UNIData300_Vxxx.exe" on your PC.
2. Copy the update file (e.g. UPD162 Vxxx.hex) to the hard drive of your PC.
3. Connect the interface cable supplied for data transfer (null-modem cable or USB1.1-RS-232 converter) to the PC and UNIMET[®] 300ST.

Proceed as follows to carry out the update:

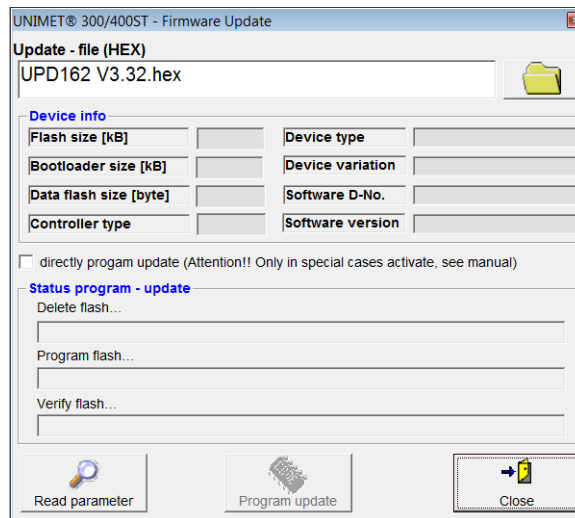
1. Start the UNIData300 software ("Start -> Program -> UNIMET®300ST -> UNIData300").
2. Select "Extras -> Firmware-Update UNIMET".
3. Click on the icon  (Open folder) to select the update file.



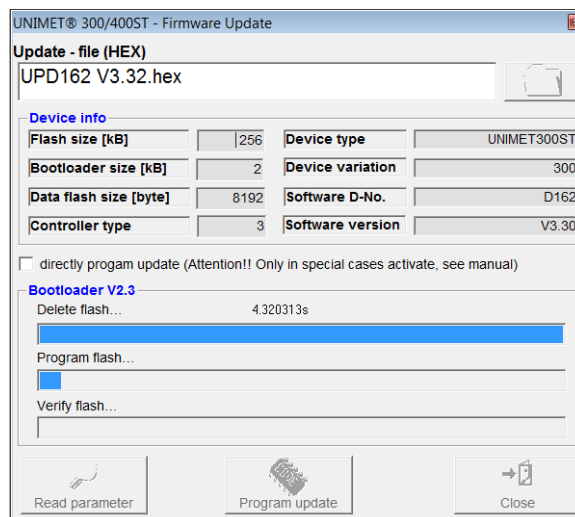
4. Select the update file "UPD162 Vxxx.hex" and click on "Open".



- Information must be read from the UNIMET for the update. Click on "Read parameters" button:

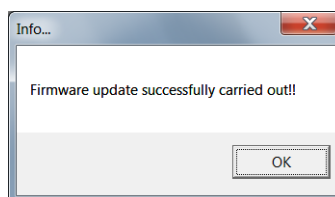


- The information read out is displayed (device info). Click on the "Update program" button. The UNIMET flash memory is deleted, re-programmed and then checked (verified). The progress of the update is displayed.



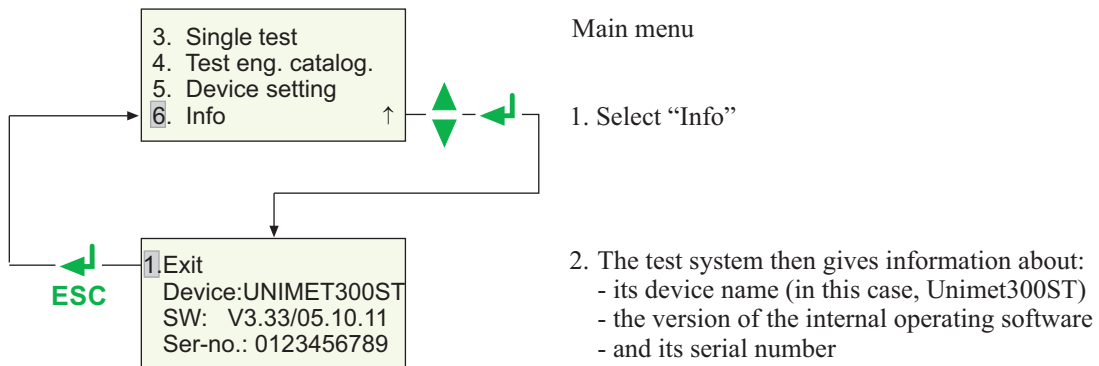
The data transfer takes about 3 minutes. Allow the data transfer to complete undisturbed. If the data transfer is interrupted, UNIMET[®] 300ST no longer has any operational operating software. The device must then receive a new operating software from Bender for installation.

- Wait until the update is finished. UNIMET restarts and then displays the main menu. UNIData300 confirms that the update has been successful with the following message:



4.6 Information

The menu item "Info" on the main menu gives you the following information:



5. Testing and measuring

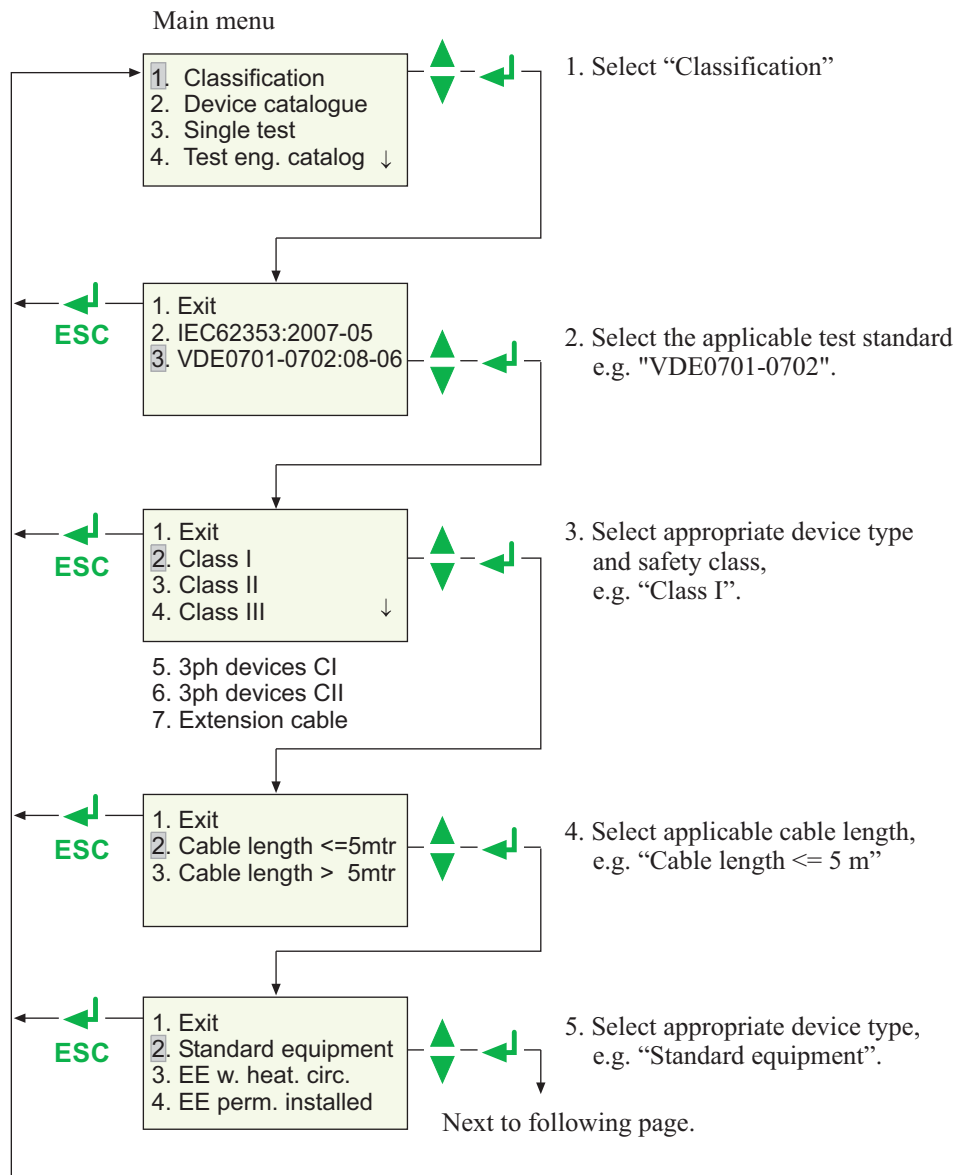
5.1 Testing via classification

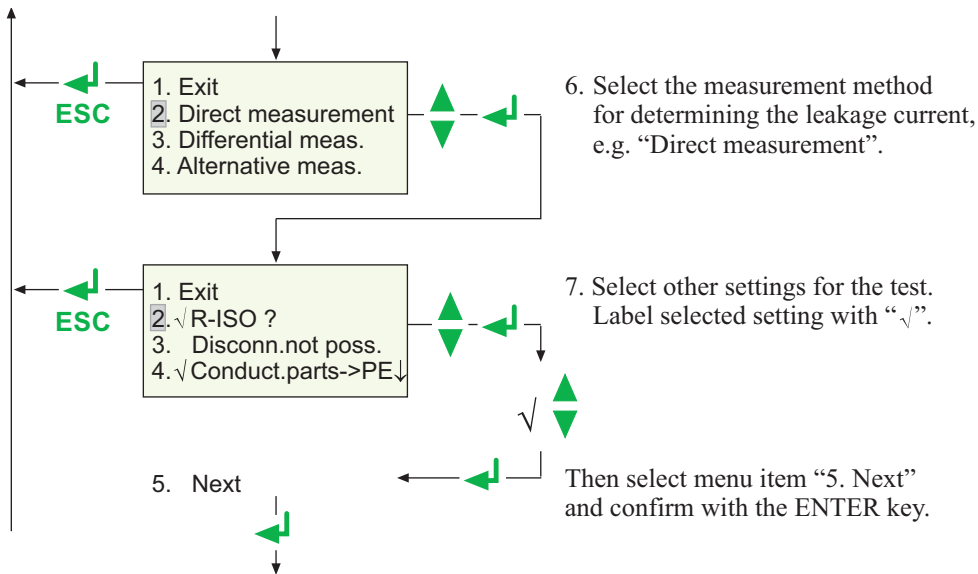
5.1.1 Classification

Answer the questions that appear on the screen. The test system will identify the required tests and limits to be observed. The guided test sequence will guide you through all the necessary steps to be taken. In addition to electrical tests, the test sequence also contains a visual and functional test.

Example 1:

Classification of electrical equipment (e.g. angle grinders) according to DIN VDE 0701-0702 with the UNIMET® 300ST:





R-ISO?
(Carry out R-ISO?)

During insulation measurement, a voltage of 500 V is applied between the active conductor and earth. Insulation testing may damage sensitive devices. Only activate insulation measurement if permitted by the manufacturer's instructions provided with the DUT.
Note: If the setting "Disconn. not poss." is selected, the insulation measurement cannot be selected.

Disconnection not possible

Choose this setting if the device cannot be disconnected from the mains.

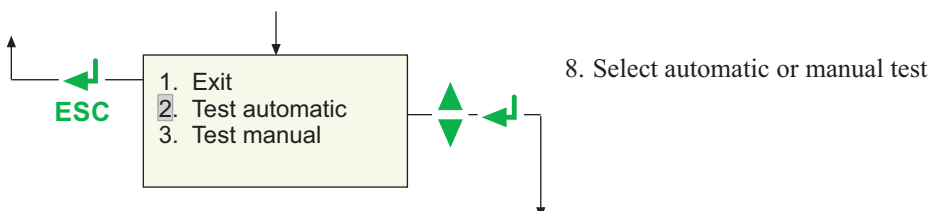
Conduct. parts >PE

All accessible conductive parts are connected to PE. This setting can be used if you know that all metal accessible parts of the enclosure are connected to the PE conductor. During device testing, the test probe then only has to be brought into contact with one metal point on the enclosure.

If not all metal parts of the enclosure are connected to PE, deactivate this function. During device testing, an additional equipment leakage current test resp. touch current test (Class II) is carried out. In this case, the manual test will be selected automatically.

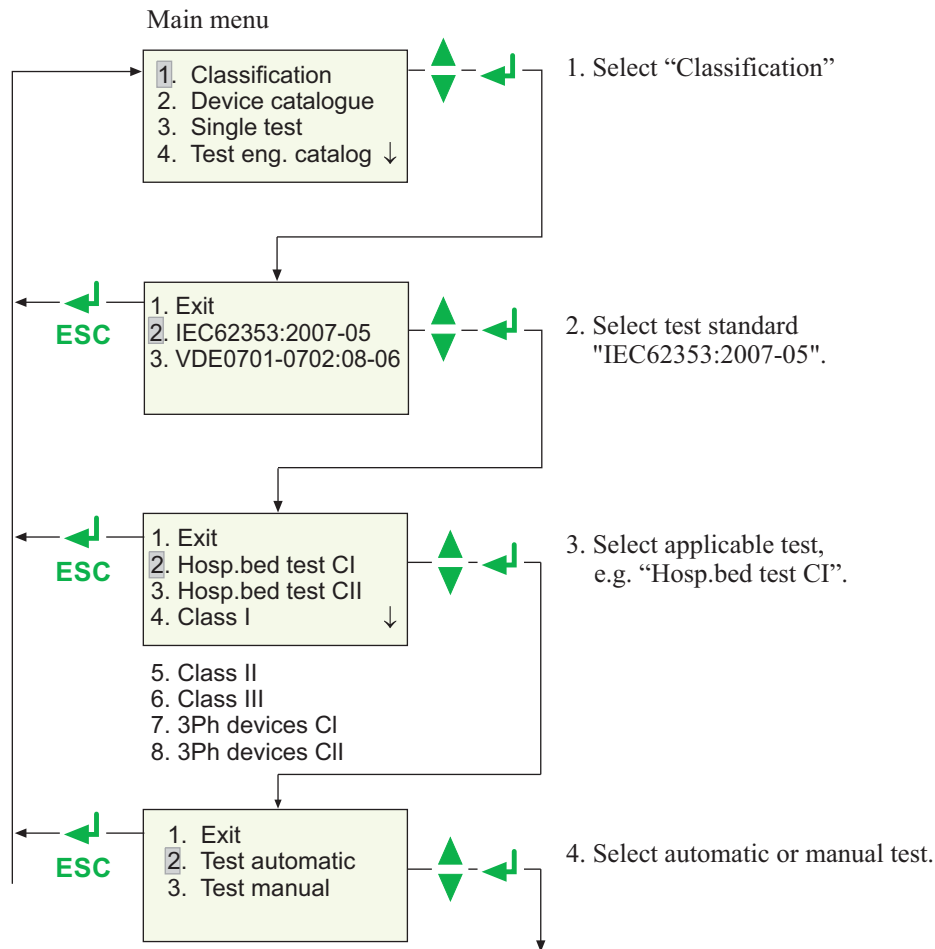
During device testing, proceed as follows:

During PE conductor testing, use the test probe to scan all parts of the enclosure connected to PE. During equipment leakage current testing or touch current testing (Class II), test all parts not connected to PE.



Example 2:

Classification of an electric hospital or care bed with the UNIMET® 300ST:



Manual or automatic test

The test sequence can be carried out automatically or manually for each device under test.

Automatic testing

During automatic testing, the test probe or test terminal comes into contact with one point of the DUT. The test sequence then runs through all the test steps automatically.

Manual testing

During manual testing, it is possible to repeat each test step as often as required and bring the test probe into contact with a number of accessible parts on the DUT consecutively.

R-PE	
Value:	0.004 Ω
Limit:	0.300 Ω
Repeat: ↑	Next: ↵

UNIMET® 300ST saves the "worst" measurement in each case. When measuring leakage currents and the PE conductor resistance, this is the highest measured value; when measuring the insulation resistance, this is the lowest measured value.

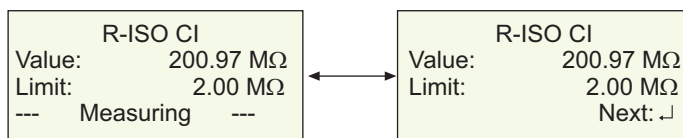
Manual testing of hospital and care beds (UNIMET[®] 300ST)

The manual test is basically carried out the same way. However, manual measurements where the bed is in operation (e.g. leakage currents) and the measuring of the insulation resistance are different. These measurements are carried out as follows:

- With leakage currents, the supply voltage to the bed is uninterrupted; with the insulation measurement, the measuring voltage is uninterrupted.
- With the measurement where the bed is supplied with voltage, the head and footboard are operated along with other electrically actuated adjustment devices. The adjustment devices are operated until their limit switch responds.
- Various accessible metal parts of the bed can be scanned with the test probe.
- The measurement is repeated until the ENTER button "↵" is pressed.

In this way, changes in the measured values caused by operating the adjustment devices on the bed are reliably detected.

The display alternates as follows:



5.1.2 Tests



Caution

The test system must not be used for testing electrical installations. It is exclusively intended for testing devices and systems listed under "System description" on page 9.



Caution

During insulation measurements, a direct current of 500 V is applied. Touching faulty DUTs when the test probe is in direct contact may expose personnel to the danger of electric shock. The touch current is limited to 2.5 mA. .



Caution

During alternative measurements of the leakage current, an alternating current of 250 V is applied. Touching faulty DUTs when the test probe is in direct contact may expose personnel to the danger of electric shock. The test current is limited to 3.5 mA.



Caution

The current flowing on faulty DUTs during a test may cause unwanted tripping of a residual current protective device (RCD).

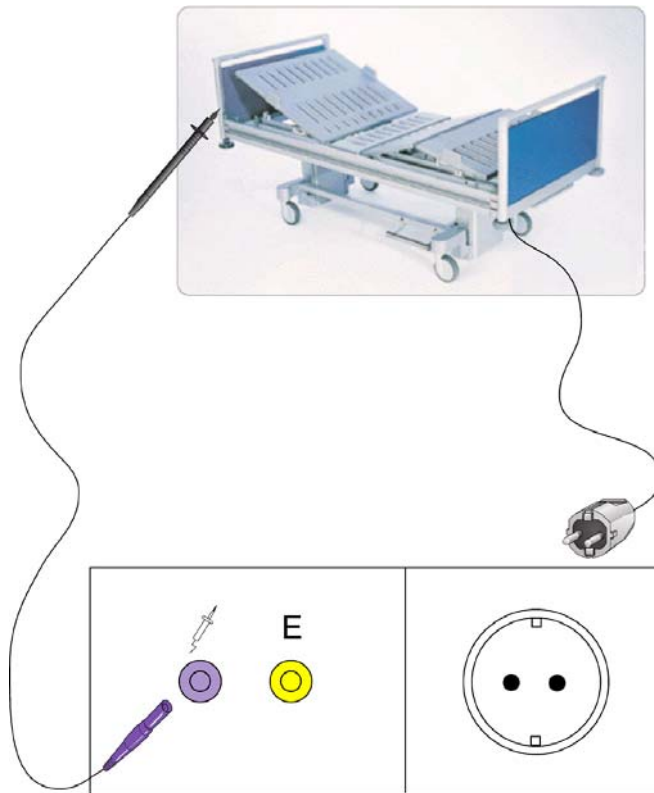


Caution

For testing equipment leakage currents with equipment in operational condition, the device under test must be installed in an insulated state to prevent leakage currents from flowing via accidental earth connections. Exposed conductive parts and the measuring leads of the device under test may be live and therefore must not be touched.

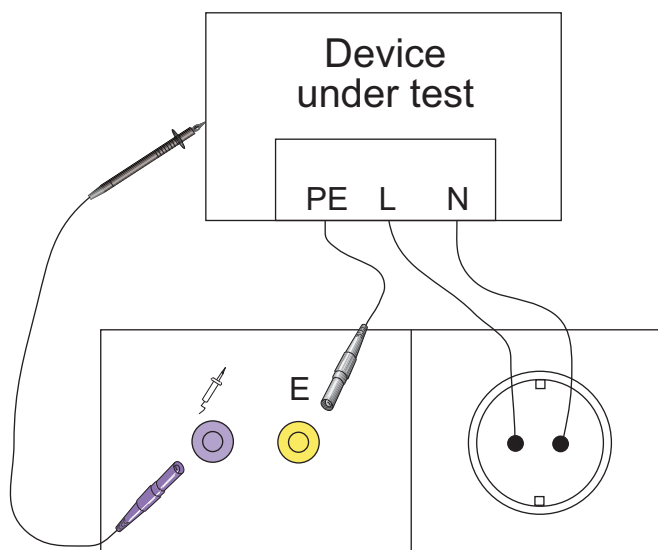
Connect the DUT to the test system.

1. To connect hospital beds, care beds and electrical equipment using a plug-in connector:

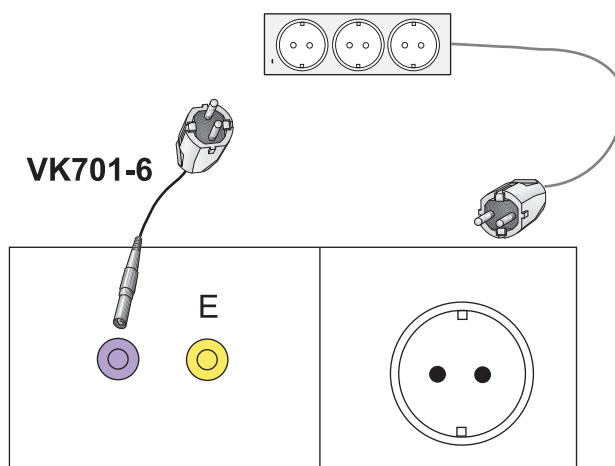
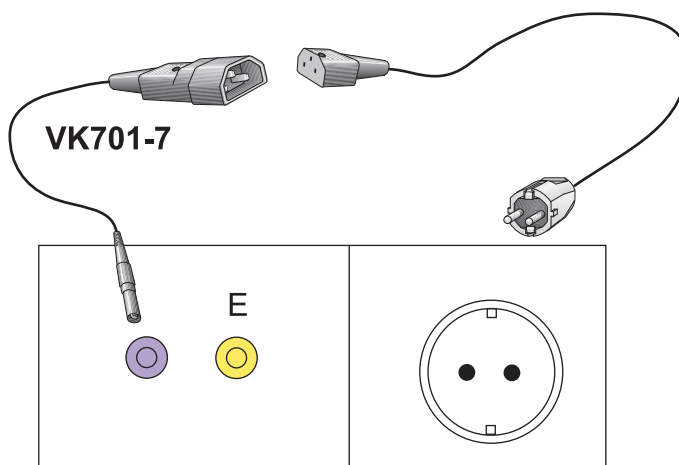


2. Connecting single-phase permanently installed equipment to the test system

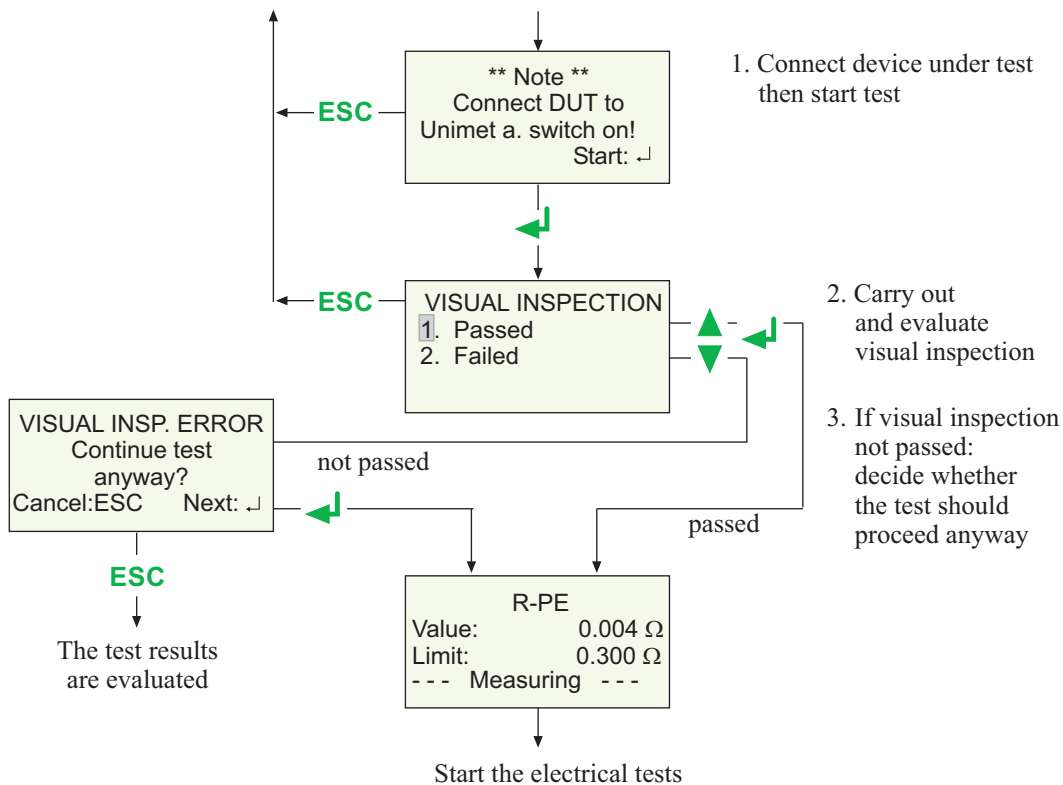
- Switch off the power to the device
- Disconnect the power supply connection.



3. Testing the extension cables
 - Connect connecting cables and extensions as follows:



Follow the instructions on the UNIMET[®] 300ST display:

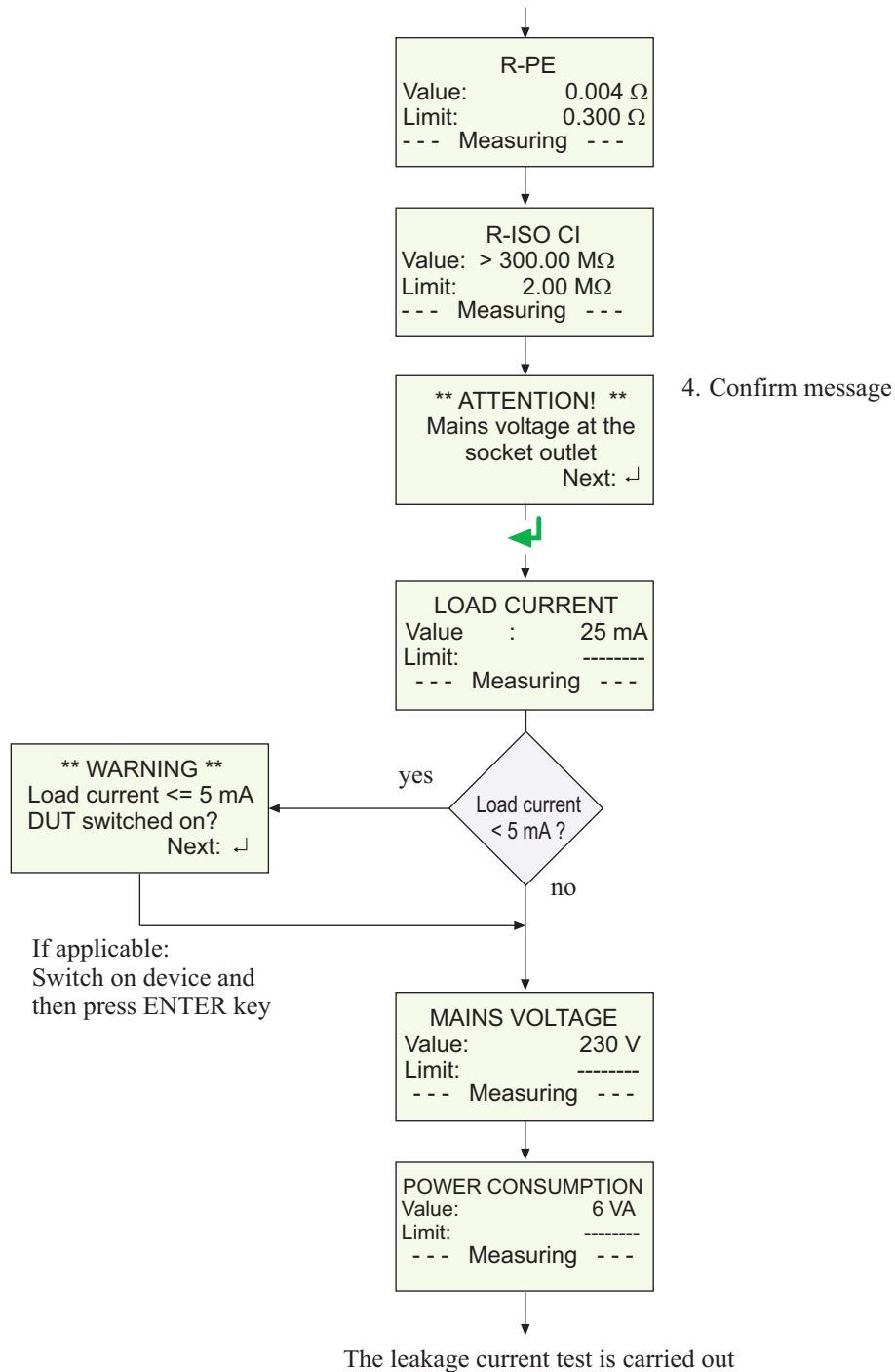


During the PE conductor test, the low-resistance continuity of the PE conductor is tested with a high current (> 2 A). This produces heat energy. If the PE conductor test is repeated very often and without breaks during manual testing or single tests, the test system will prevent overheating by aborting the test. A message will appear:

****Danger****
 Test will be stopped
 Transformer overheat
 (Measur. Time > 2 min)

After the test is terminated, testing the PE conductor is permitted again within a few seconds.

After the visual inspection, the following tests are carried out for the "Hosp. bed test CI" example:



Please note that only DUTs with a power consumption of up to 3700 VA may be supplied with power via the UNIMET® 300ST test socket. If DUTs with higher power consumptions are connected, the thermomagnetic circuit-breaker integrated into the UNIMET® 300ST power switch will trip. Once the DUT has been removed, the test system can be switched on after a few seconds.

Test sequence with warm-up and cool-down period

If "warm-up and cool-down period" is activated on the device settings, UNIMET waits until the DUT is powered up or ready for operation. Once the DUT has been connected to the mains supply, the following message appears:

WARM-UP PERIOD:
Boot up DUT!

Next: ↵

Wait until the DUT is powered up and then confirm by pressing the ENTER button "↵".

After the last test step carried out at this phase position, UNIMET will wait for the DUT to shut down.

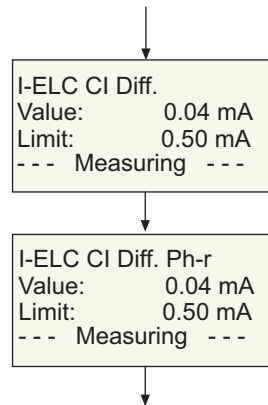
COOL-DOWN PERIOD:
Shut down DUT!

Next: ↵

Wait until the DUT is powered down and then confirm by pressing the ENTER button "↵".

With all test sequences which put the DUT into operation, a test is carried out with the phase position reversed. In this case, the DUT is powered up and powered down one more time.

Now, the leakage current test is carried out:



The function test is carried out

Checking the limits

UNIMET® 300ST monitors whether the limits are kept to throughout the test sequence. If a limit is violated when measuring the PE conductor resistance, the test engineer can decide whether to abort the test or continue to its completion:

```

    ** ATTENTION! **
    Limit for R-PE
    exceeded!
    Abort: ESC Repeat: ↵
    
```

With all the other measurements during which the limit has not been kept to, the test is continued. However, the test system does not permit any hazardous currents:

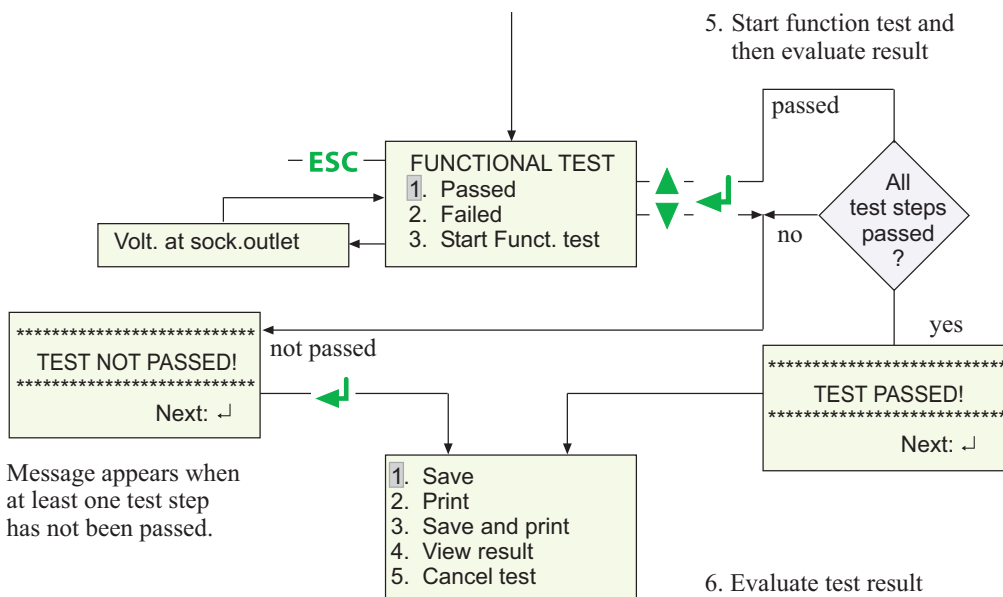


Faulty DUTs can exhibit dangerous leakage currents. During all leakage current measurements, testing is aborted immediately if a measured value >20 mA is reached. UNIMET® 300ST then shows:

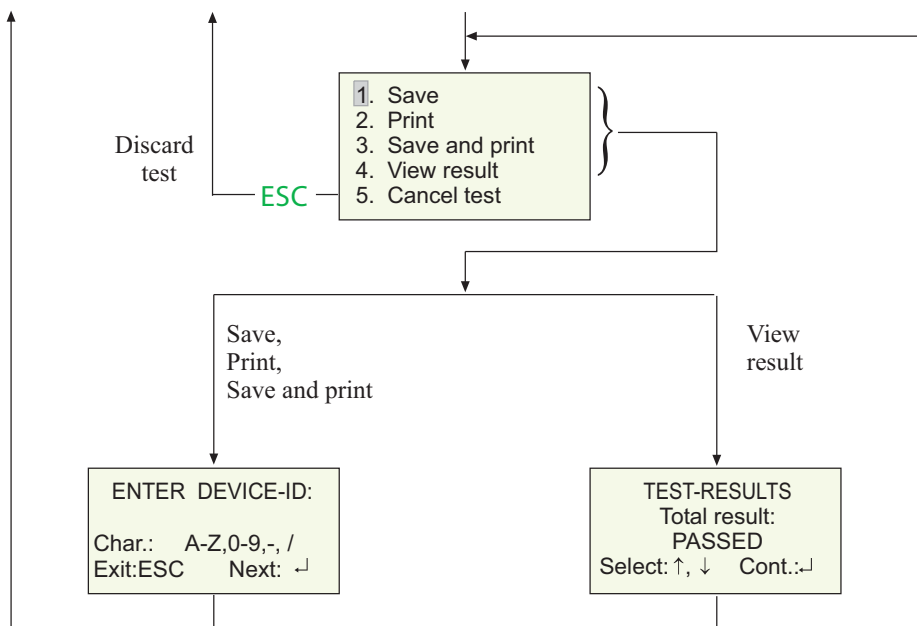
```

    ** Danger! **
    Leak.current > 20 mA
    Test finished
    Continue: ↵
    
```

On completion of the test sequence, the functional test is carried out. Here, the DUT is put into operation via the test socket on the test system.



5.1.3 Evaluating the test result



- ESC short = Edit previous characters ↑, ↓ = select next or previous test step
 ESC long = Exit menu without making change ↵ = back to previous menu
- ↵ short = Accept characters
 ↵ long = Accept result, carry out selected action and exit menu

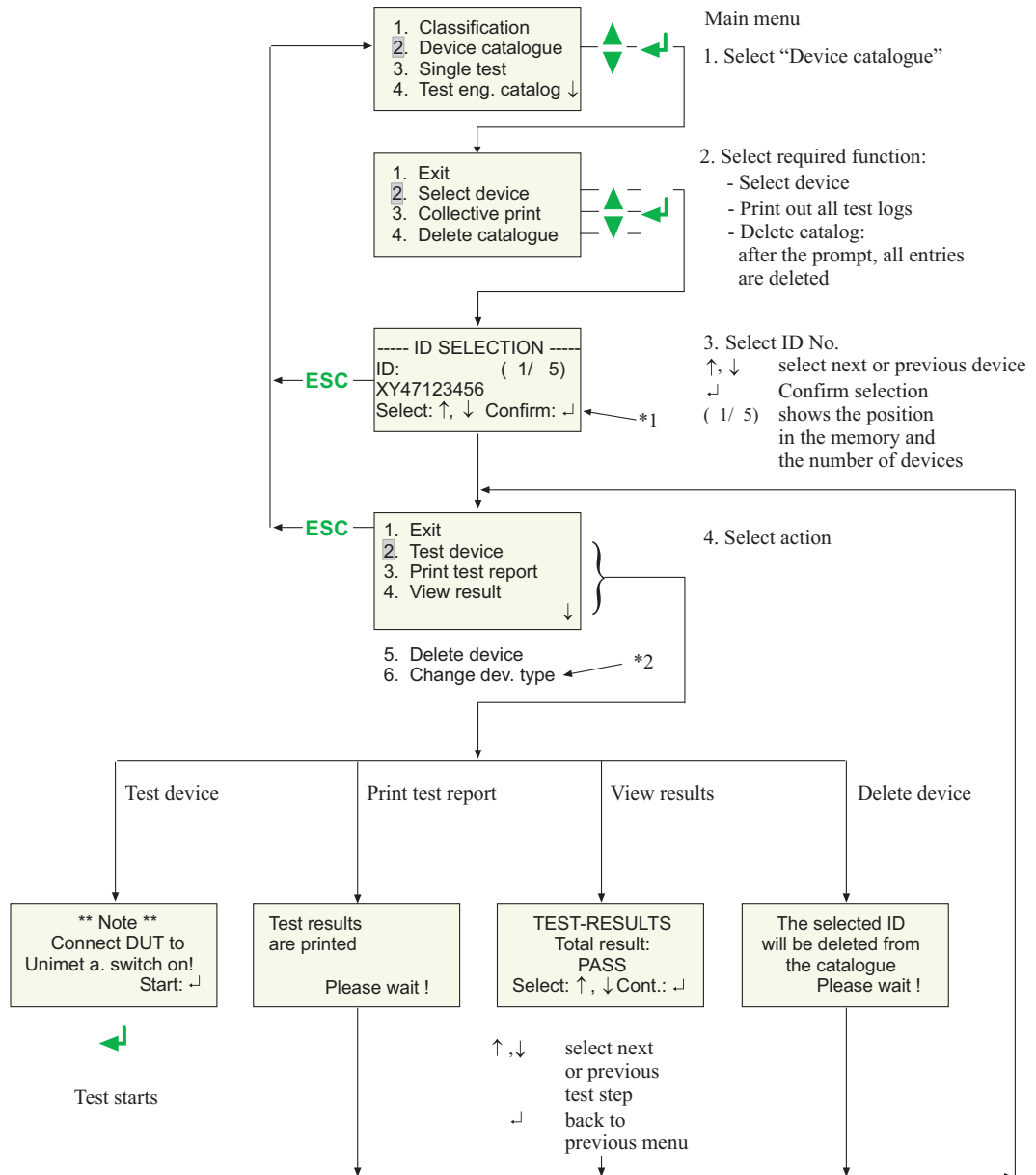
If "Device type query" in the device settings is enabled, this is entered before the device ID.

5.2 Recurrent test and device catalogue

The test results, tests and limits of the device tested by UNIMET[®] 300ST can be stored in the device catalogue. In the case of recurrent tests, the devices are simply called up in the device catalogue and tested again. Other functions are print report, display results, delete device or delete entire catalogue.

The content of the device catalogue can be transferred to a PC program. Similarly, data records selected in the PC program can be transferred to the device catalogue. These functions are described in the PC software guide.

Proceed as follows to use the device catalogue:

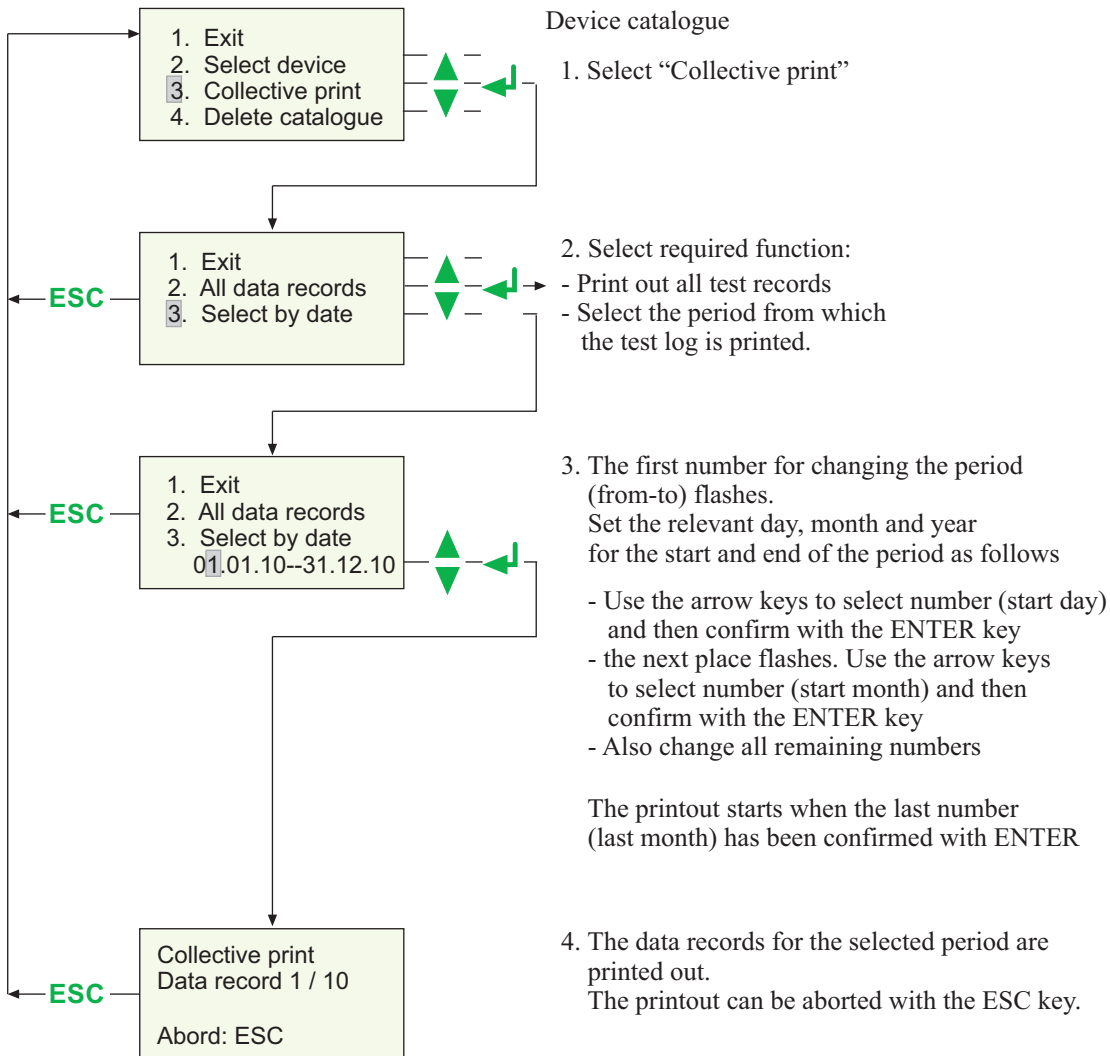


*1 If "device type query" in the device settings is enabled, then the device type is displayed on the last line for approximately 2 seconds when scrolling in the device catalogue.

*2 If "device type query" in the device settings is enabled, an additional menu item "Change device type" will also appear.

5.2.1 Collective printout

Each DUT stored in the test system can be printed out as a measurement report. Select either all the reports or only the reports for a desired period.



5.2.2 Backing up the device catalogue

The device catalogue contains the ID numbers, the test results and the classification of tested devices for the recurrent test. These data can be backed up on a PC with the Bender-PC software UNIData300.



The following pages provide a brief introduction to the software UNIData300. The UNIData300 software Help menu provides a detailed description.

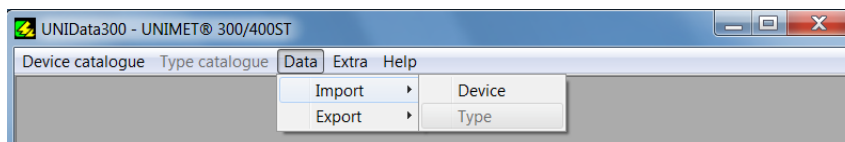
Proceed as follows to start UNIData300:

1. UNIData300 is on the CD supplied with the device. It is designed to operate on PCs with Windows® 2000 (with Service Pack 3) or higher.
 - If the version of the program on your PC is older, first uninstall the older UNIData300 version.
 - Open the folder UNIData300 and install the software by executing the file "UNIData300_Vxxx.exe" on your PC.
2. Connect the interface cable supplied for the data transfer (null-modem cable or USB1.1-RS-232 converter) to the PC and UNIMET® 300ST.
3. Switch on UNIMET.
4. Start the UNIData300 software ("Start -> Program -> UNIMET® 300ST -> UNIData300"). UNIData300 adapts itself to the required interface (e.g. COM1) and to the baud rate set on the UNIMET. The settings for imports and exports appear at the bottom edge of the screen.

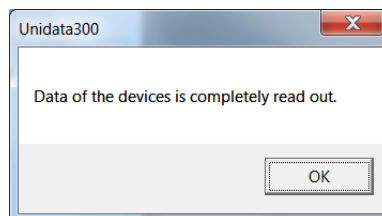
Prüfgerät : UNIMET®300ST -> V3.20	SerNr.: 0301001759	COM 1	Baudrate : 9600	19.04.2010	13:29
-----------------------------------	--------------------	-------	-----------------	------------	-------

To import data to the PC:

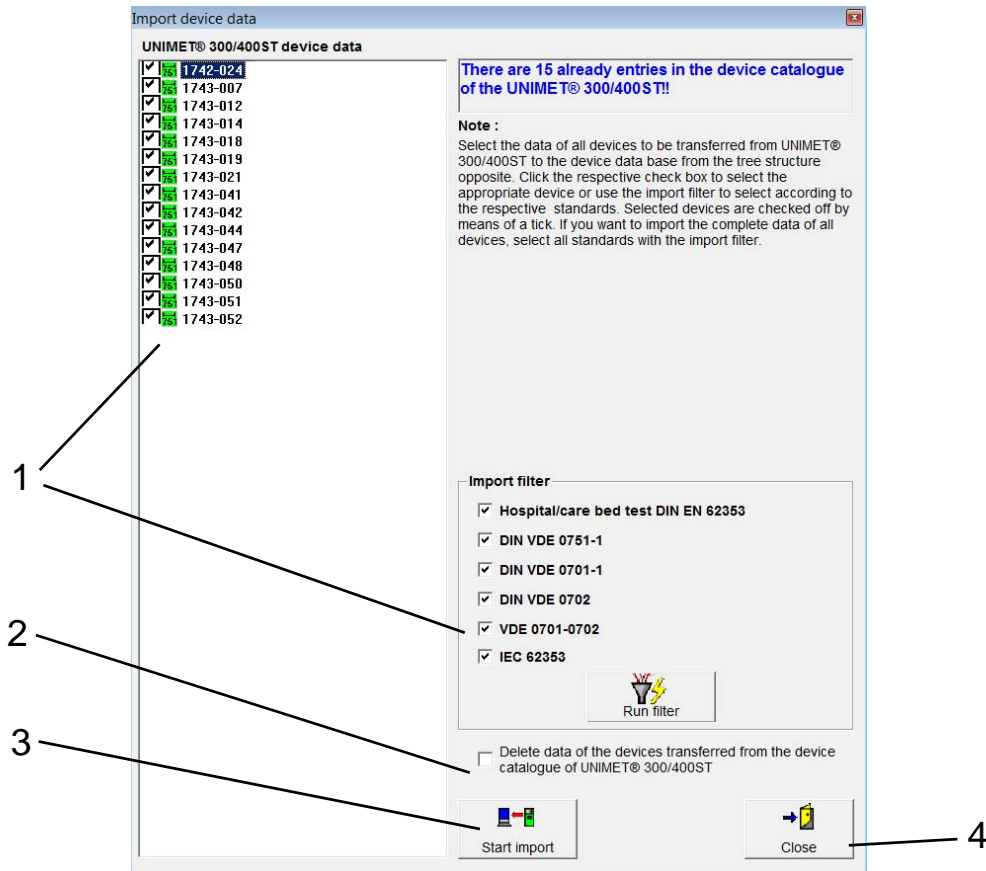
1. Select "Data" -> "Import" to import the data from the UNIMET to the PC software

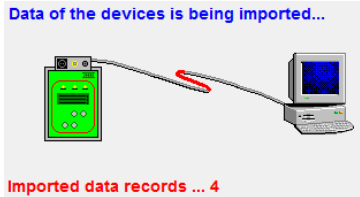


UNIData300 reports when the data have been imported successfully:

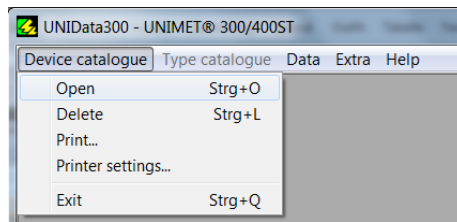


2. Now select the data to be saved in the UNIData300 device database.

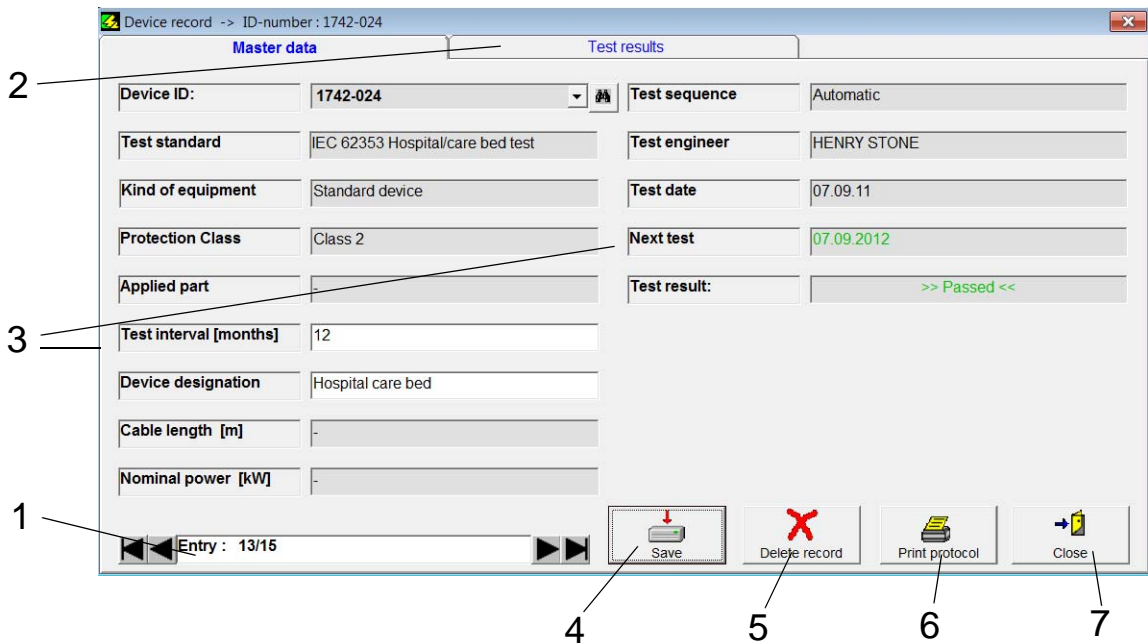


1	Select the data to be stored: <ul style="list-style-type: none"> - Click on the individual data in the left window, or - Select according to test standard and enable the import filter. Once all the standards are activated, all the data will be selected for saving.
2	Decide whether the device catalogue in the UNIMET is to be deleted.
3	Start the import. UNIDATA300 shows the progress of data transfer. <div style="text-align: center; margin: 10px 0;">  </div> Wait until the data are stored.
4	Close the Import window.

To use the data read in on the PC:
 Select "Device catalogue" -> "Open".



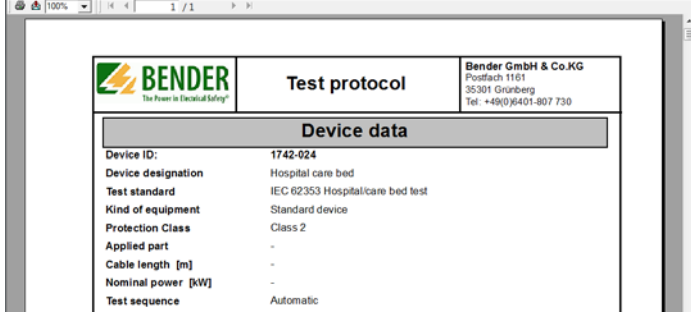
The device catalogue data stored on the PC are displayed:





The following functions are available:

1	Use the arrow buttons to select a device. All the known data for this device will be displayed. Only the fields "Test interval (months)" and "Device name/type" can be changed.
2	After clicking on this tab, you will see the results for the current device.
3	Enter a test interval. This allows you (after updating) to select the devices to export which are due for testing.
4	"Update" accepts your entries in the fields "Device name/type" and "Test interval (months)" in the device database. Once the field "Test interval (months)" is full, UNIData300 updates the field "Next test".
5	The current device is deleted.

6 A print preview will appear:



- Click on  to print.

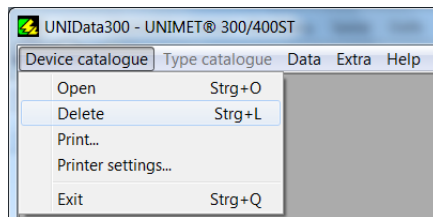
-Click on  to export the test report.
 Formats: PDF, MS-Word, Excel, RTF, HTML 4.0.

-In the menu "Extra -> Protocol settings", you can enter the company name (4 lines max.) and insert the company logo for the report.

7 Click on "Close" to leave the Program window.

To delete the device database of UNIData300:

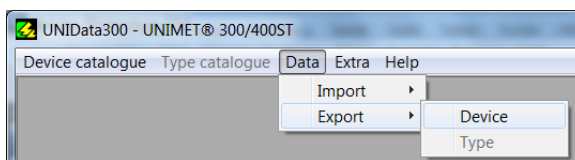
Select "Device catalogue" -> "Delete".



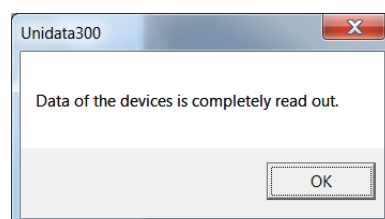
Confirm the confirmation prompt "Delete all". The device database of UNIData300 will be deleted.

To export data from the PC to UNIMET:

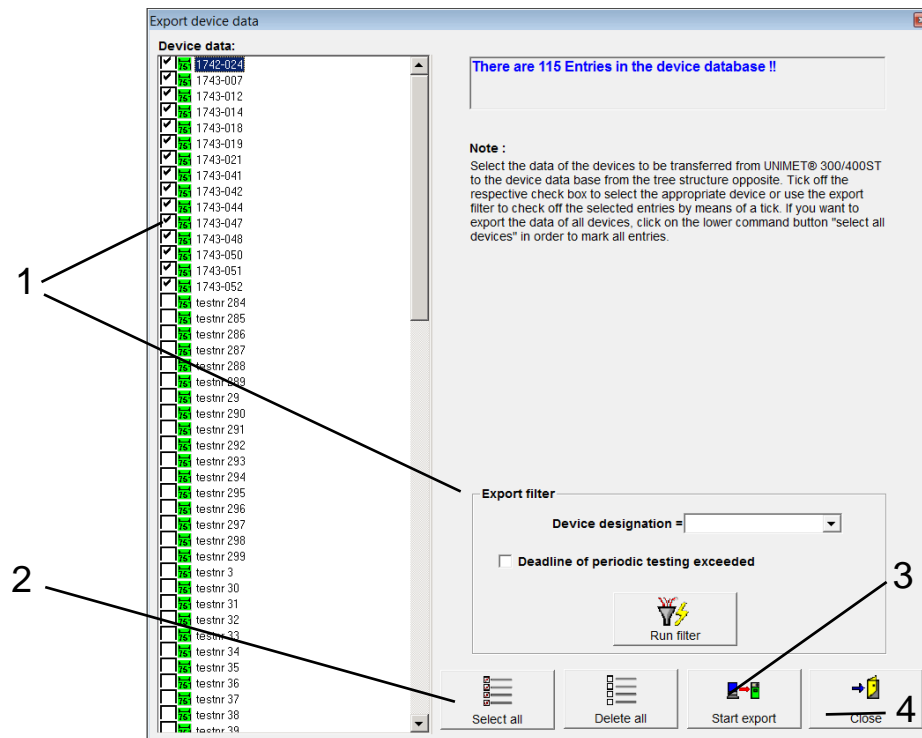
1. Select "Data" -> "Export" to transfer the data stored in the PC software to the device catalogue of the UNIMET.




UNIData300 makes the stored data available and reports:



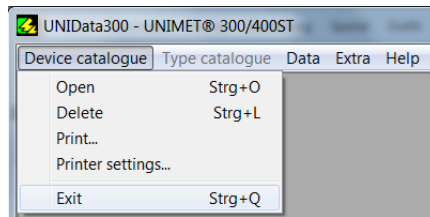
- Now select the data to be exported. Select the individual data or click on "Select all". Export the selected data with "Start export".



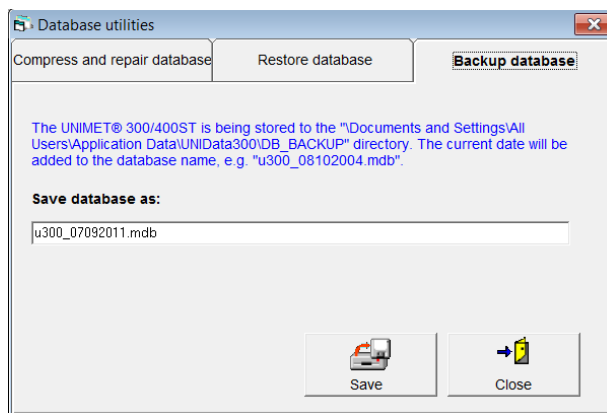
1	Select the data to be exported: - Click on the individual data in the left window, or - Select according to test standard and enable the export filter.
2	If all the data are to be exported, just click on "Select All".
3	Start the export. UNIData300 shows the progress of data transfer. <div style="text-align: center;">  </div> Wait until the data are transferred.
4	Close the Export window.

To end UNIData300:

Select "Device catalogue" -> "Exit".

**To save a copy of the device database of UNIData300:**

The menu "Extra -> Database utilities -> Backup database" enables you to back up the database on the hard drive of your PC.



The copy of the database can be found in the folder "C:\Documents and Settings\All Users\Application Data\UNIData300\DB_BACKUP".

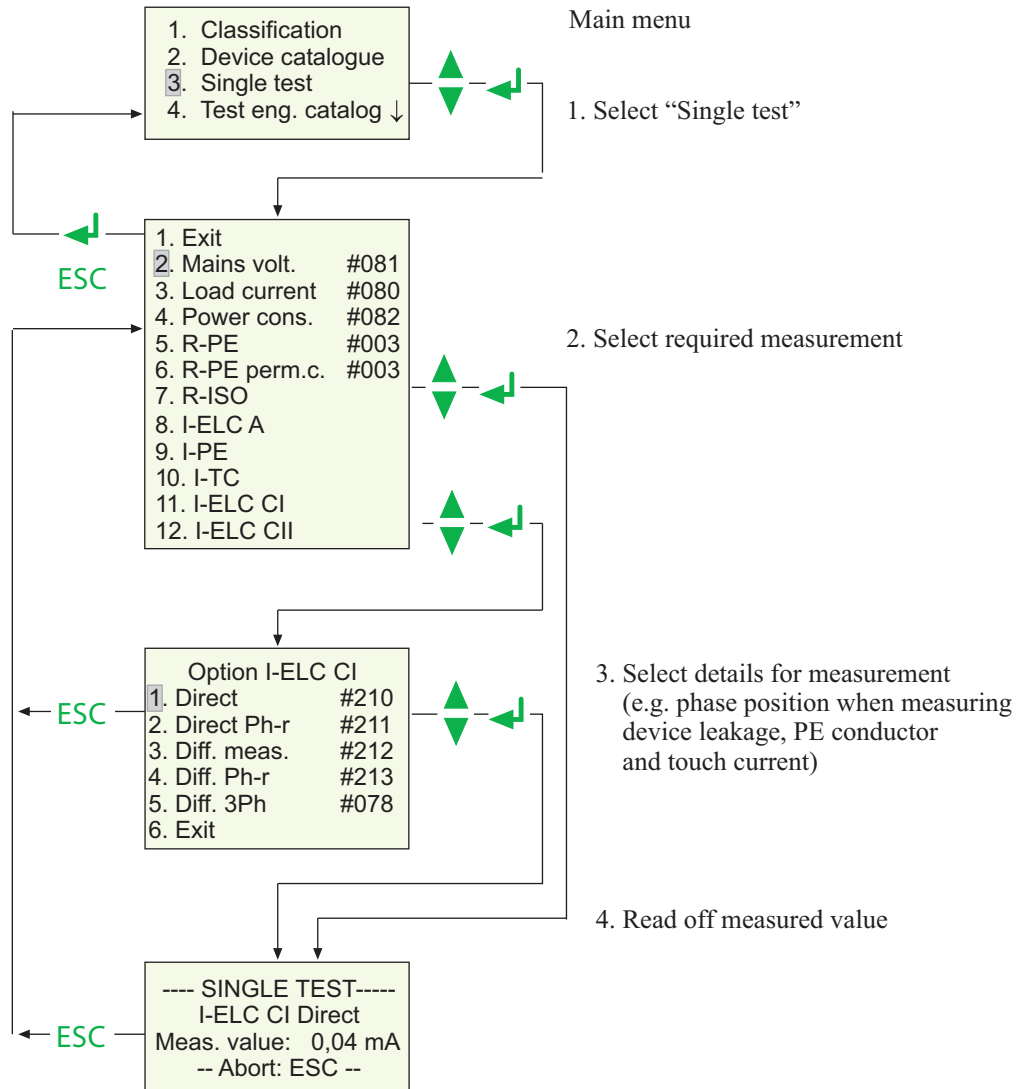
To back up the original device database of UNIData300:

The hard disk of the PC is not an absolutely secure storage location for data. With a backup copy of the device database, you will avoid loss of data.

The original device database "u300.mdb_xx" can be found in the folder "C:\Documents and Settings\All Users\Application Data\UNIData300\Database". Regularly backup the device database on another data medium.

5.3 Single test

Test steps can be called up in the form of single tests and repeated as often as required. For example, if a limit value is not complied with during a classified test sequence, the test step concerned can be examined in more detail using a single test.



During the PE conductor test, the low-resistance continuity of the PE conductor is tested with a high current (>2 A). This produces heat energy. If the PE conductor test is repeated very often and without breaks during manual testing or single tests, the test system will prevent overheating by aborting the test. A message will appear:

****Danger****
 Test will be stopped
 Transformer overheat
 (Measur. Time > 2 min)

After the test is terminated, testing the PE conductor is permitted again within a few seconds.

6. Maintenance and calibration

6.1 Calibration

Like any other test instrument, the UNIMET® 300ST requires a regular measured values check. The calibration interval is 36 months. The test system can only be calibrated and adjusted by Bender or a centre approved by Bender.

6.2 Changing the battery

The UNIMET® 300ST clock is powered by a battery with a battery life of approximately four years (see also chapter "4.5.5 Time/date"). If the battery voltage is too low, the following message appears after switching on the test system:

** Battery flat! **
 Change the battery
 Set time/date
 Next: ↵

The test system battery can only be changed by Bender or a centre approved by Bender.

The battery is always replaced by Bender as part of the calibration procedure.

6.3 Error messages

The UNIMET® 300ST continuously monitors its device functions. In the unlikely event on an error occurring, a message will appear on the display:

** ERROR **
 xxxxx
 Contact Service!
 Next: ↵

xxxxxx stands for the type of error given out. There are the following different types of errors:

Type of fault	Meaning
I2C bus (Code 002)	Hardware error internal bus
RT clock (Code 004)	Device-real-time clock is not running
Cal. values (code 016)	Errors in memory for the calibration values. In certain cases, can be eliminated by correcting the calibration values in the UNIMET® 300ST database

Type of fault	Meaning
Database (Code 032)	This error appears when a bad data record which cannot be corrected is detected in the device database. The error can be eliminated if the data record where this error occurs is deleted.
Firmware (Code 128)	With a UNIMET® 300ST, the firmware of a UNIMET® 301ST has been installed or vice versa

If several errors occur simultaneously, a different error code is given out.
Proceed as follows:

1. Shut down the UNIMET® 300ST and remove the mains connector.
2. Make a note of what happened prior to the error: operator inputs, type of DUT, ambient conditions etc.
3. Keep the device serial number to hand.
4. Call Bender technical support and describe the type of error and the error code.

6.4 Disposal

Abide by the national regulations and laws governing the disposal of this device. Ask your supplier if you are not sure how to dispose of the old equipment.

Directive 2002/96/EG on waste electrical and electronic equipment and Directive 2002/95/EG on the restriction of certain hazardous substances in electrical and electronic equipment apply in the European Community.

In Germany, these policies are implemented through the "Electrical and Electronic Equipment Act" of 16 March 2005. According to this, the following applies:

- Electric and electronic equipment are not to be included in household waste. This is indicated by the symbol:



- Batteries and accumulators are not to be included in household waste but must be disposed of in accordance with the regulations.
- Old electrical and electronic equipment (WEEE) from users other than private households which was introduced to the market after 13th August 2005 must be taken back by the manufacturer and disposed of properly.

7. Data

7.1 Standards

7.1.1 Application standards

The UNIMET[®] 300ST carries out measurements and tests according to the following standards:

- DIN EN 62353 (VDE 0751-1):2008-08
"Medical electrical equipment - Recurrent test and test after repair of medical electrical equipment (IEC 62353:2007); German version EN 62353:2008"
- DIN VDE 0701-0702 (VDE 0701-0702):2008-06
"Inspection after repair, modification of electrical appliances - Periodic inspection on electrical appliances - General requirements for electrical safety"
- ÖVE/ÖNORM EN 62353:2009-01-01
"Medical electrical equipment - Recurrent test and test after repair of medical electrical equipment (IEC 62353:2007)"

7.1.2 Design standards

The requirements of the following standards were taken into account in the design of the UNIMET[®] 300ST:

- DIN VDE 0404-1 (VDE 0404-1):2002-05
"Testing and measuring equipment for checking the electric safety of electric devices - Part 1: General requirements"
- DIN VDE 0404-2 (VDE 0404-2):2002-05
"Testing and measuring equipment for checking the electric safety of electric devices - Part 2: Testing equipment for tests after repair, change or in case of repeat tests"
- DIN VDE 0404-3 (VDE 0404-3):2005-04
"Testing and measuring equipment for testing the electrical safety of electrical devices - Part 3: Equipment for periodical tests and tests prior to commissioning medical electrical devices or systems"

7.2 Test steps

A classified test sequence with the UNIMET[®] 300ST comprises a number of individual test steps. The test steps are sorted on the basis of measurement numbers.

Meas No.	Name of measurement	Short text	Unit	Standard
3	PE conductor resistance, permanently attached cable	R-PE	Ohm	VDE 0701-0702 + IEC 62353
4	Protective earth resistance, installed equipment	R-PE	Ohm	VDE 0701-0702 + DIN EN 62353
5	Insulation resistance, Protection Class II	R-ISO CII	MOhm	IEC 62353
6	Insulation resistance, Protection Class I	R-ISO CI	MOhm	IEC 62353
106	Insulation resistance, Protection Class I	R-ISO CI	MOhm	VDE 0701-0702
107	Insulation resistance, Protection Class II	R-ISO CII	MOhm	VDE 0701-0702
120	Insulation resistance, cable	R-ISO	MOhm	VDE 0701-0702
44	Equipment leakage current Protection Class I - alternative measurement	I-ELC-A CI	mA	IEC 62353
46	Equipment leakage current - Protection Class II - alternative measurement	I-ELC-A CII	mA	IEC 62353
109	Equipment leakage current Protection Class I - alternative measurement	I-ELC-A CI	mA	VDE 0701-0702
110	Equipment leakage current Protection Class II - alternative measurement	I-ELC-A CII	mA	VDE 0701-0702
80	Load current measurement		A	VDE 0701-0702 + DIN EN 62353
81	Operating voltage		V	VDE 0701-0702 + DIN EN 62353
82	Power consumption		kVA	VDE 0701-0702 + DIN EN 62353
111	PE conductor current - Direct measurement	I-PE Direct	mA	VDE 0701-0702
112	PE conductor current - Direct measurement - Phase reversed	I-PE Direct Ph-r	mA	VDE 0701-0702
113	PE conductor current - Differential measurement	I-PE Differential	mA	VDE 0701-0702
114	PE conductor current - Differential measurement - Phase reversed	I-PE Differential Ph-r	mA	VDE 0701-0702

Meas No.	Name of measurement	Short text	Unit	Standard
76	PE conductor current - Differential measurement - Three-phase	I-PE Differential 3ph	mA	VDE 0701-0702
115	Touch current - Direct measurement	I-TC Direct	mA	VDE 0701-0702
116	Touch current - Direct measurement - Phase reversed	I-TC Direct Ph-r	mA	VDE 0701-0702
117	Touch current - Differential measurement	I-TC Differential	mA	VDE 0701-0702
118	Touch current - Differential measurement - Phase reversed	I-TC Diff. Ph-r	mA	VDE 0701-0702
77	Touch current - differential measurement - Three-phase current	I-TC Diff. 3ph	mA	VDE 0701-0702
210	Equipment leakage current - Protection Class I - Direct measurement	I-ELC CI Direct	mA	IEC 62353
211	Equipment leakage current - Protection Class I - Direct measurement - Phase reversed	I-ELC CI Dir. Ph-r	mA	IEC 62353
212	Equipment leakage current - Protection Class I - Differential measurement	I-ELC CI Differential	mA	IEC 62353
213	Equipment leakage current - Protection Class I - Differential measurement - Phase reversed	I-ELC CI Diff. Ph-r	mA	IEC 62353
78	Equipment leakage current - Protection Class I - Differential measurement - Three-phase current	I-ELC CI Diff. 3ph	mA	IEC 62353
214	Equipment leakage current - Protection Class II - Direct measurement	I-ELC CII Direct	mA	IEC 62353
215	Equipment leakage current - Protection Class II - Direct measurement - Phase reversed	I-ELC CII Direct Ph-r	mA	IEC 62353
216	Equipment leakage current Class II - Differential measurement	I-ELC CII Diff.	mA	IEC 62353
217	Equipment leakage current Class II - Differential measurement - Phase reversed	I-ELC CII Diff. Ph-r	mA	IEC 62353
79	Equipment leakage current Class II - Differential measurement - Three-phase current	I-ELC CII Diff. 3ph	mA	IEC 62353

7.3 Technical specifications

Supply voltage.....	AC 230 V ± 10%)
Frequency range	45 - 65 Hz
Power consumption	max. 50 VA
Maximum load current	16 A
Maximum connectable load at 230 V.....	3700 VA
Protection class	II
Ambient temperature	0°C - 50 °C
Storage temperature	-10 - +70 °C
Degree of protection.....	IP20

Testing of PE conductor resistance

Test voltage	approx. 5 V, mains frequency
Short circuit current	> 2 A
Meas. range	0.001 Ω - 29.999 Ω
Meas. accuracy	0.001Ω - 1.0 Ω: ± 2.5% of MV ± 2 digits
.....	1.001Ω - 29.999 Ω: ± 5% v. M. ± 2 digits

Leakage current by differential current measurement

Meas. range	0.02 mA - 19.99 mA
Meas. accuracy	± 5% of MV ± 5 digits

Direct measurement of the leakage current

Meas. range	0.001 mA - 19.999 mA
Meas. accuracy	0.001 mA - 19.999 mA: ± 5 % of MV ± 2 digits

Equivalent unit leakage current

Meas. range	0.001 mA - 19.999 mA
Meas. accuracy	0.001 mA - 9.999 mA: ± 5 % of MV ± 2 digits
.....	10.000 mA - 19.999 mA: ± 7 % of MV ± 2 digits
Test voltage (equiv. unit leakage current)	approx. mains voltage, mains frequency
Test current	max. 3.5 mA

Insulation resistance

Test voltage	approx. 500 V DC
Max. test current	2.5 mA
Meas. range	0.01 MΩ to 299.9 MΩ
Meas. accuracy	0.01 MΩ - 99.99 MΩ: ± 5 % of MV ± 2 digits
.....	100.00 MΩ - 199.99 MΩ: ± 10 % of MV ± 2 digits

Load current measurement

Meas. range	0.01 A to 16 A
Meas. accuracy	± 2.5% of MV ± 3 digits

Voltage measurement

Meas. range	90 - 264 V
Meas. accuracy	± 2.5% of MV ± 2 digits

Apparent power

Meas. range	5 - 3700 VA
Meas. accuracy	± 5 % of MV ± 5 digits

General data

Dimensions (without bag)	approx. 168 x 272 x 124 mm (W x D x H)
Weight (without accessories or bag)	approx. 2.2 kg
Calibration interval:	36 months

of MV = of measured value

7.4 Ordering data

Type	Comments	Item no.
UNIMET® 300ST standard	Test system for electric sick beds and hospital beds; tests according to DIN EN 62353, DIN VDE 0701-0702; Uop = AC 230 V; max. load 3500 VA; Plug/socket: German	B 96023000
UNIMET® 300ST CH version	Test system for electric sick beds and hospital beds; tests according to DIN EN 62353, DIN VDE 0701-0702; Uop = AC 230 V; max. load 3500 VA; Plug/socket: Switzerland	B 96023001
VK701-6	Schuko adapter	B 96020067
VK701-7	Adapter for cold devices	B 96020066
RS-232/RS-232 interface cable	Cable for connecting the test system with a PC, 9-pin, female-female (Null modem cable)	B 96012012
Test probe	3 m instrument lead with black test probe	B 928748
Test terminal	Test terminal black	B 928741
AR100	Barcode scanner	B 96020078
PS/2	Barcode pen reader	B 96020082
	USB1.1 RS-232 converter	B 96020086
	Flex keyboard	B 96020093
DS32A	Three-phase adapter for measurement on mobile three-phase equipment during operation CEE 3pol. 16 A Plug/Socket, CEE 5pol. 32 A Plug/Socket, for UNIMET® 1100/800/400/300ST	B 96020098
VK701-8	ADAPTERKIT 16A for DS32A, for measurement on 16 A three-phase equipment in combination with the three-phase adapter DS32A	B 96020097

Other models and software are available on request.

INDEX

A

Accessories 10
Areas of application 7
Areas of use 9

B

barcode reading wand 15
Barcode scanner 15
- Connection 14
Battery 22
- Changing 51
Baud rate 23
Buzzer 24

C

Calibration interval 51
Carrying bag 10
Circuit-breaker
- thermo-magnetic 37
Classification 29
Collective printout 42
Company name 22
Connecting the DUT 34
cool-down period 21

D

Damage in transit 7
Data transfer speed 19
Date 22
Device
- permanently installed 34
Device catalogue 41
- save 43
Device database
- To save backup 48
Device functions 51
Device settings 19
Device type query 21
Devices
- permanently installed 20

E

Equipment
- electrical 29
Error code 52

Error types 51
Extension cables 20
Extensions 35

F

Firmware 52
Firmware update 25
Functional test 40

H

Hospital and care beds 9
hospital and care beds
- manual testing 32
hospital bed 31

I

IBM emulation 14
Interface cable 25, 43
Interfaces 12
IT system 9

K

Keyboard 15
- Connection 14

L

Language 25
Leakage currents 9
- dangerous 39
Limits 29
- Checking 39
Lower case 15

M

Main menu 13, 16
Manufacturer's instructions 30

N

Null modem cable 24, 25, 43
null-modem cable 10

O

of the test log 22

Operating menus 12
Operating software 25
Ordering data 57

P

PC software 23, 41
PE conductor test 36, 49
Personnel 7
Plastic enclosure 12
Plug-in connector 34
Power consumption 37
Principle of operation 14
Print protocol 41
Printer 12, 14
PS/2 switch cable 14

R

Recurrent test 41
RS-232 interface 23

S

Serial number 16
Single test 49
Standards 10, 53
Summer/winter time 23, 24
Supply voltage 13
Systems
- earthed 9

T

Test engineer catalogue 16
Test engineer names 16
Test probe 12
- Others 20
- Zero balance 20
Test terminal 10
Tests 29
- Automatic 31
- Manual 31
Time 22

U

Umlauts 15
UNIData300 25, 43
UniData300, installing 43

UP/DOWN keys 14

USB1.1 RS-232 converter 10, 24, 25, 43

Use

- intended 7

W

Warm-up and cool-down period 38

Warm-up period 21



D611004600



Bender GmbH & Co. KG

Londorfer Str. 65 • 35305 Grünberg • Germany
Postfach 1161 • 35301 Grünberg • Germany

Tel.: +49 6401 807-0
Fax: +49 6401 807-259

E-Mail: info@bender-de.com
Web: <http://www.bender-de.com>

BENDER Group
