

Coupling devices

AGH675S-7/AGH675S-7MV15 series



Coupling devices

AGH675S-7/AGH675S-7MV15 series



Coupling devices of the
AGH675S-7/AGH675S-7MV15 series

Product description

The coupling devices of the AGH675S-7/AGH675S-7MV15 series are used to extend the nominal voltage range of the ISOMETER® IRDH275BM-7 illustrated in the wiring diagram.

The ISOMETER® IRDH275BM-7 together with the coupling device AGH675S-7 monitors the insulation resistance of IT medium voltage systems up to 7,2 kV.

The ISOMETER® IRDH275BM-7 together with two coupling devices AGH675S-7MV15 monitors the insulation resistance of IT systems up to 15,5 kV. Always two AGH675S-7MV15 together with one IRDH275BM-7 are required.

Terminal 5 of the coupling device AGH675S-7 has to be connected to terminal AK of the IRDH275BM-7.

If two AGH675S-7MV15 are connected to the IRDH275BM-7, the terminals 5 have to be connected in parallel to terminal AK of the IRDH275BM-7.

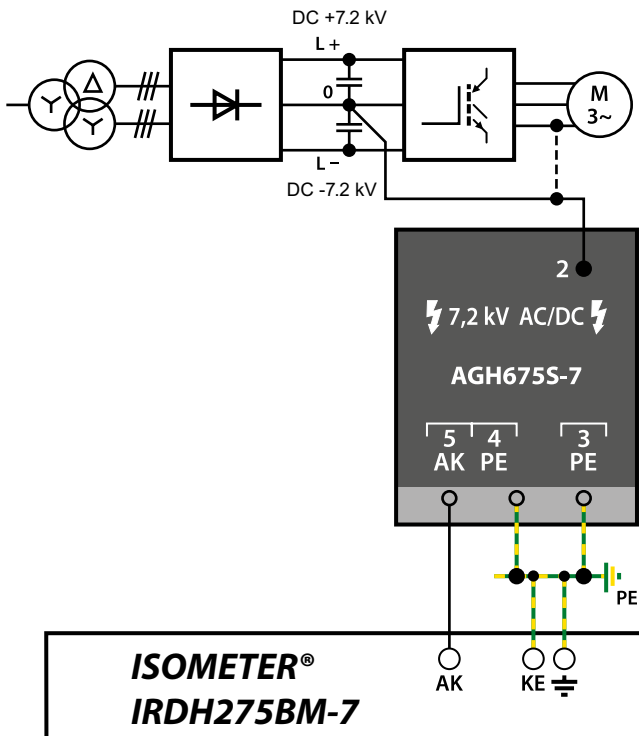
Approvals



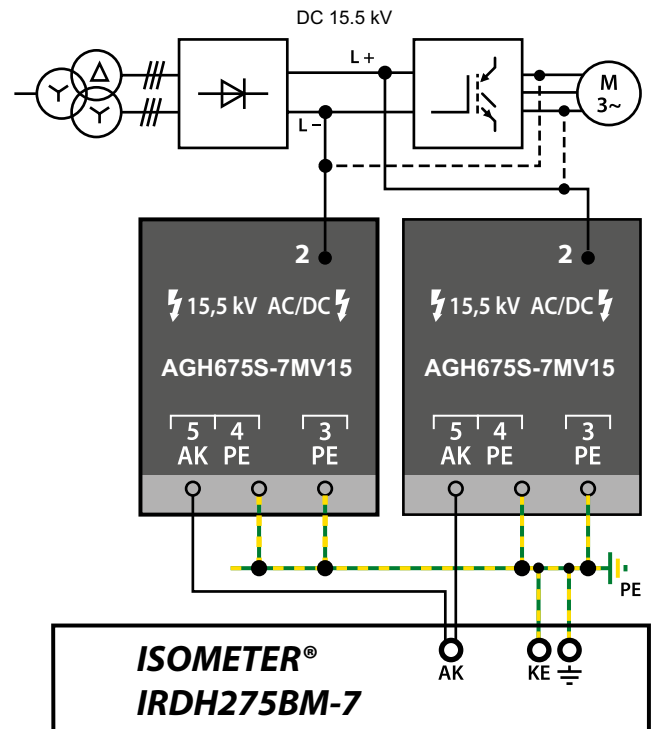
Ordering information

Nominal system voltage U_n	Cable length	Type	Art. No
0...7.2 kV, 0...460 Hz	500 mm	AGH675S-7-500	B913060
	2000 mm	AGH675S-7-2000	B913061
0... 15.5 kV, 0...460 Hz	500 mm	AGH675S-7MV15-500	B913058

Wiring diagram AGH675S-7 (example)



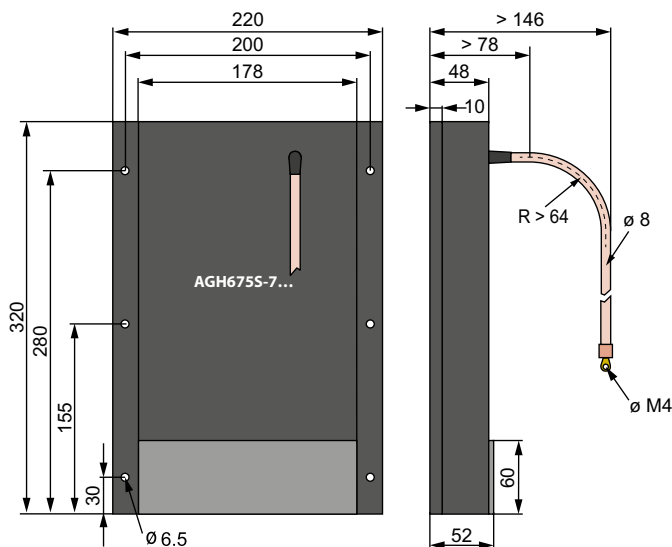
Wiring diagram AGH675S-7MV15 (example)



The terminals "AK" of the two coupling devices AKs are bridged and connected to terminal AK of the IRDH275BM-7.

Dimension diagram

Dimensions in mm



Technical data

Insulation coordination acc. to DIN EN 61800-5-1

AGH675S-7

Rated insulation voltage	AC 7.2 kV
--------------------------	-----------

AGH675S-7MV15

Rated insulation voltage	AC 15.5 kV
--------------------------	------------

Voltage test according to IEC 61800-5-1

Type test:

AGH675S-7

AC voltage test (basic insulation)	40 kV
AC voltage test (basic insulation)	20 kV
Partial discharge test	14 kV

AGH675S-7MV15

Impulse voltage test (basic insulation)	111 kV
AC voltage test (basic insulation)	70 kV
Partial discharge test	29 kV

Routine test:

AC voltage test	40 kV
-----------------	-------

Voltage ranges

AGH675S-7

Nominal system voltage U_n	AC, 3(N)AC, DC 0...7.2 kV
Nominal frequency f_n	0...460 Hz
Internal DC resistance R_i	$\geq 2.39 \text{ M}\Omega$

AGH675S-7MV15

Nominal system voltage U_n	AC, 3(N)AC, DC 0...15.5 kV
Nominal frequency f_n	0...460 Hz
Internal DC resistance R_i	$\geq 4.7 \text{ M}\Omega$

Environment/EMC

Operating temperature (normal operation)	- 10...+ 60 °C
Operating temperature (continuous operation with asymmetrical earth fault)	- 10...+ 55 °C

Classification of climatic conditions acc. to IEC 60721:

Stationary use (IEC 60721-3-3)	3K5 (except condensation and formation of ice)
Transport (IEC 60721-3-2)	2K3
Long-term storage (IEC 60721-3-1)	1K4

Classification of mechanical conditions acc. to IEC 60721:

Stationary use (IEC 60721-3-3)	3M4 (3M7 Y axis)
Transport (IEC 60721-3-2)	2M2
Long-term storage (IEC 60721-3-1)	1M3

Connection

Connection terminal 2 (medium voltage)	high-voltage cable (encapsulated on the device side)
Connection, flexible with ring eyelet	M4
Connection type terminals 3, 4, 5	screw-type terminals
Connection	
rigid/flexible	0.2...4 mm ² /0.2...2.5 mm ²
flexible connector sleeve	0.25...2.5 mm ²

Other

Operating mode	continuous operation
Mounting	any position
Degree of protection, internal components (DIN EN 60529)	IP 64
Degree of protection, terminals (DIN EN 60529)	IP 20
Type of enclosure	resin-encapsulated block
Screw mounting	M5
Flammability class	UL94 HB
Documentation number	D00095
Weight	$\leq 5100 \text{ g}$



Bender GmbH & Co. KG

P.O. Box 1161 • 35301 Grünberg • Germany
 Londorfer Strasse 65 • 35305 Grünberg • Germany
 Tel.: +49 6401 807-0 • Fax: +49 6401 807-259
 E-Mail: info@bender.de • www.bender.de



BENDER Group