

Coupling device AGH204S-4



Coupling device AGH204S-4



Coupling device AGH204S-4

Product description

The coupling device AGH204S-4 is designed to extend the nominal voltage range of the ISOMETER® iso685... and IRDH... series to AC, 3(N)AC 0...1650/0...1300 V, 50...400 Hz.

The coupling device is connected to the system to be monitored according to the wiring diagram and connected to the terminal AK of the ISOMETER® by means of terminal AK...

Approvals

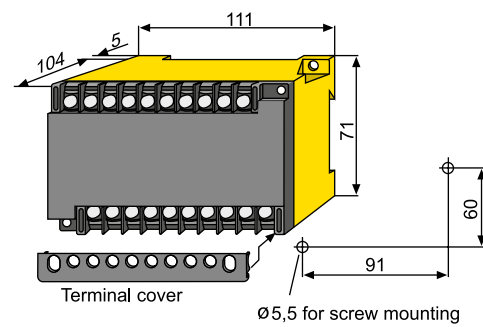


Ordering information

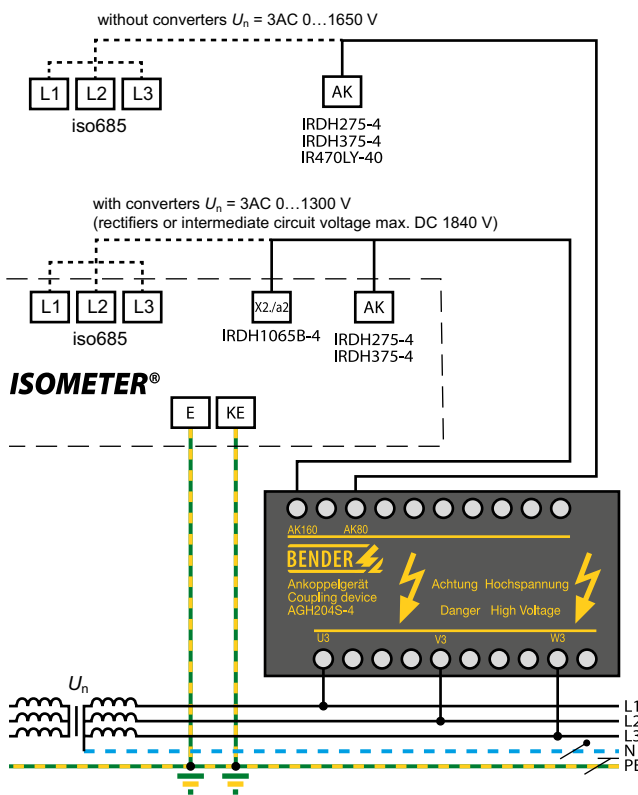
Nominal system voltage U_s	Type	Art. No.
AC	AGH204S-4	B914013
0...1650V/0...1300V		

Dimension diagram X200

Dimensions in mm



Wiring diagram



Technical data

Insulation coordination acc. to DIN EN 61800-5-1 (VDE 0160-105-1)

Rated insulation voltage	AC 1500 V
--------------------------	-----------

Voltage test acc. to DIN EN 61800-5-1 (VDE 0160-105-1)

Impulse voltage test (basic insulation)	≥ AC 10.4 kV
AC voltage test (basic insulation)	≥ AC 5 kV
Partial discharge test	≥ 3 kV

Voltage ranges

Nominal system voltage U_n (including DC components)	0...1300 V
Nominal system voltage U_n (AC only)	0...1650 V
Nominal frequency f_n	50...400 Hz
Overvoltage category/rated impulse voltage	III/≥10.4 kV

Internal DC resistance R_i

Coupling to AK80	80 kΩ
Coupling to AK160	160 kΩ

Environment

Shock resistance IEC 60068-2-27 (device in operation)	15 g/11 ms
Bumping IEC 60068-2-29 (transport)	40 g/6 ms
Vibration resistance IEC 60068-2-6 (device in operation)	1 g/10...150 Hz
Vibration resistance IEC 60068-2-6 (transport)	2 g/10...150 Hz
Ambient temperature (during operation)	-10...+55 °C
Ambient temperature for UL applications (during operation)	-10...+45 °C
Ambient temperature (during storage)	-40...+70 °C
Climatic class acc. to DIN IEC 60721-3-3	3K5 (except condensation and formation of ice)

Connection

Connection	screw-type terminals
Connection properties	
rigid/flexible	0.2...4 mm ² /0.2...2.5 mm ²
Tightening torque	0.5 Nm
Conductor sizes (AWG)	24...12
Length of the connecting lead between the ISOMETER® and AGH	≤ 0.5 m

Other

Operating mode	continuous operation
Mounting	any position
Degree of protection, internal components (DIN EN 60529)	IP30
Degree of protection, terminals (DIN EN 60529)	IP20
Type of enclosure	X112, free from halogen
Screw mounting	2 x M4
DIN rail mounting	DIN EN 60715/IEC 60715
Flammability class	UL94 HB
Documentation number	D00094
Weight	≤ 1350 g



Bender GmbH & Co. KG

P.O. Box 1161 • 35301 Gruenberg • Germany
Londorfer Strasse 65 • 35305 Gruenberg • Germany
Tel.: +49 6401 807-0 • Fax: +49 6401 807-259
E-Mail: info@bender.de • www.bender.de



BENDER Group