

Creator:



Bender Solutions GmbH & Co. KG  
Londorfer Str. 65  
D 35305 Grünberg

Postfach 1161  
D 35301 Grünberg

Tel.: +49 6401 807-0  
Fax: +49 6401 807-259  
Internet: [www.bender.de](http://www.bender.de)  
e-mail: [info@bender.de](mailto:info@bender.de)

Product specification:

Box

Type:

GM401

Onshore PE Monitor on DIN rail

All rights are reserved for this technical documentation, even in the event of granting a patent or registration of the design. Without our approval these documents must not be duplicated, accessed by third parties or improperly used.  
In case of violation the recipient will be liable for indemnity and will be prosecuted. Subject to change without notice.

01	Converter	15.09.2020	TT	Date	27.05.2021		Title page	Doc.type   Part number   Doc.no   Rev.	= Box + Pg: <b>1</b>
02	Neue Bauteile	28.04.2022	TT	Last user	TT				
03	Mail 21.11.22	22.11.2022	TT	Creator	TT				
Rev.	Description	Date	Name	Scale	1:1				

# Table of contents

Higher-level function	Mounting location:	Page	Page description	Supplementary field Page	Date	Edited by
A3		1	Title page		22.11.2022	TT
		2	Table of contents		22.11.2022	TT
		3	Technical specification		22.11.2022	TT
		4	View		22.11.2022	TT
		5	Schematic		22.11.2022	TT
		6	Summarized parts list		22.11.2022	TT
		7	Parts list		22.11.2022	TT
		8	Terminal diagram		22.11.2022	TT
		9	Terminal diagram		22.11.2022	TT
		10	Terminal diagram		22.11.2022	TT

A

B

C

D

E

F

Date	27.05.2021
Last user	TT
Creator	TT
Rev.	
Description	
Date	
Name	
Scale	1:1



Table of contents

Doc.type | Part number | Doc.no | Rev.

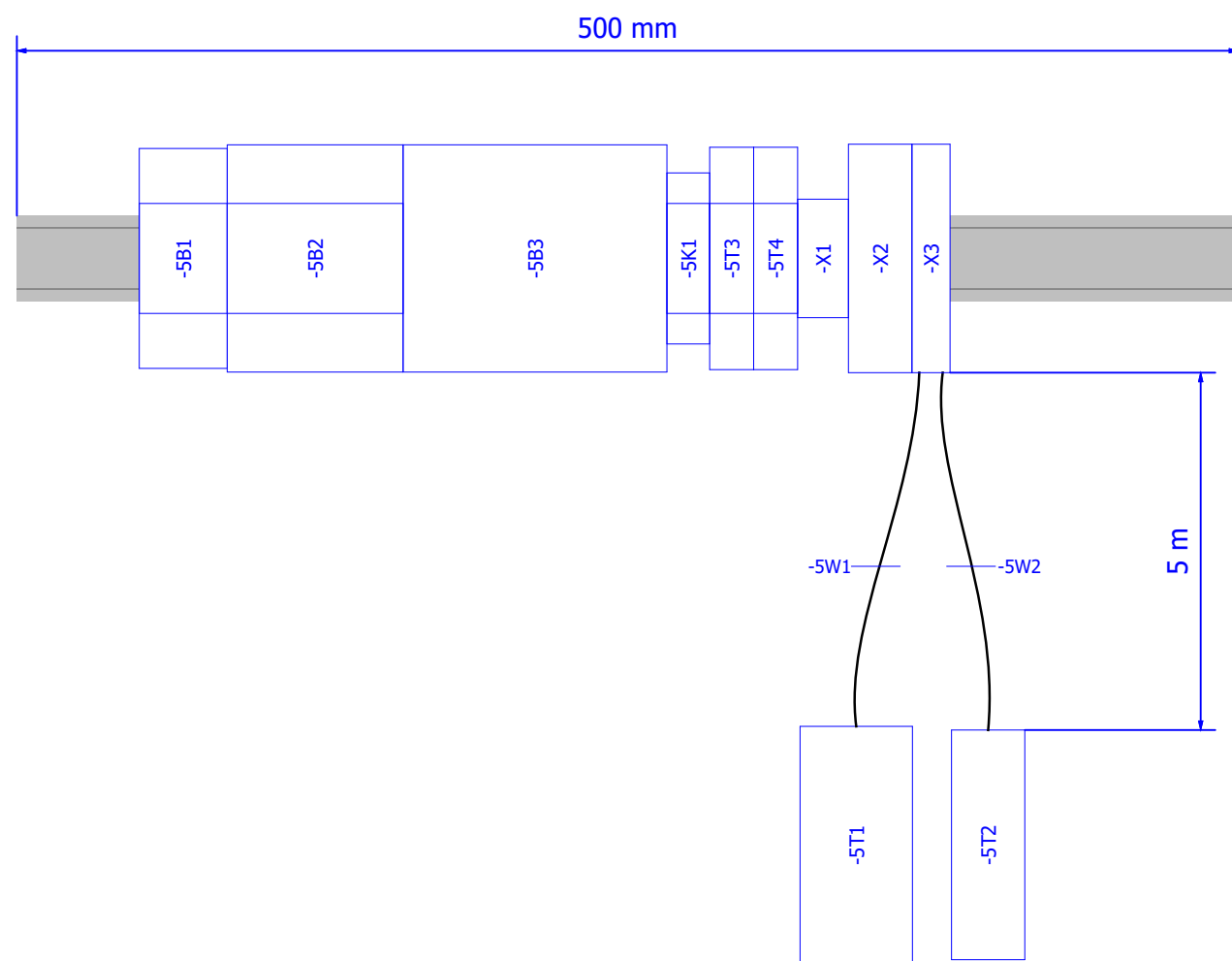
ZFP\_B22080108 - \_03

= Box

+ Pg: 2



### Assembly on DIN rail TS35 (example)



Date	27.05.2021
Last user	TT
Creator	TT
Rev.	
Description	
Date	
Name	
Scale	1:3



View

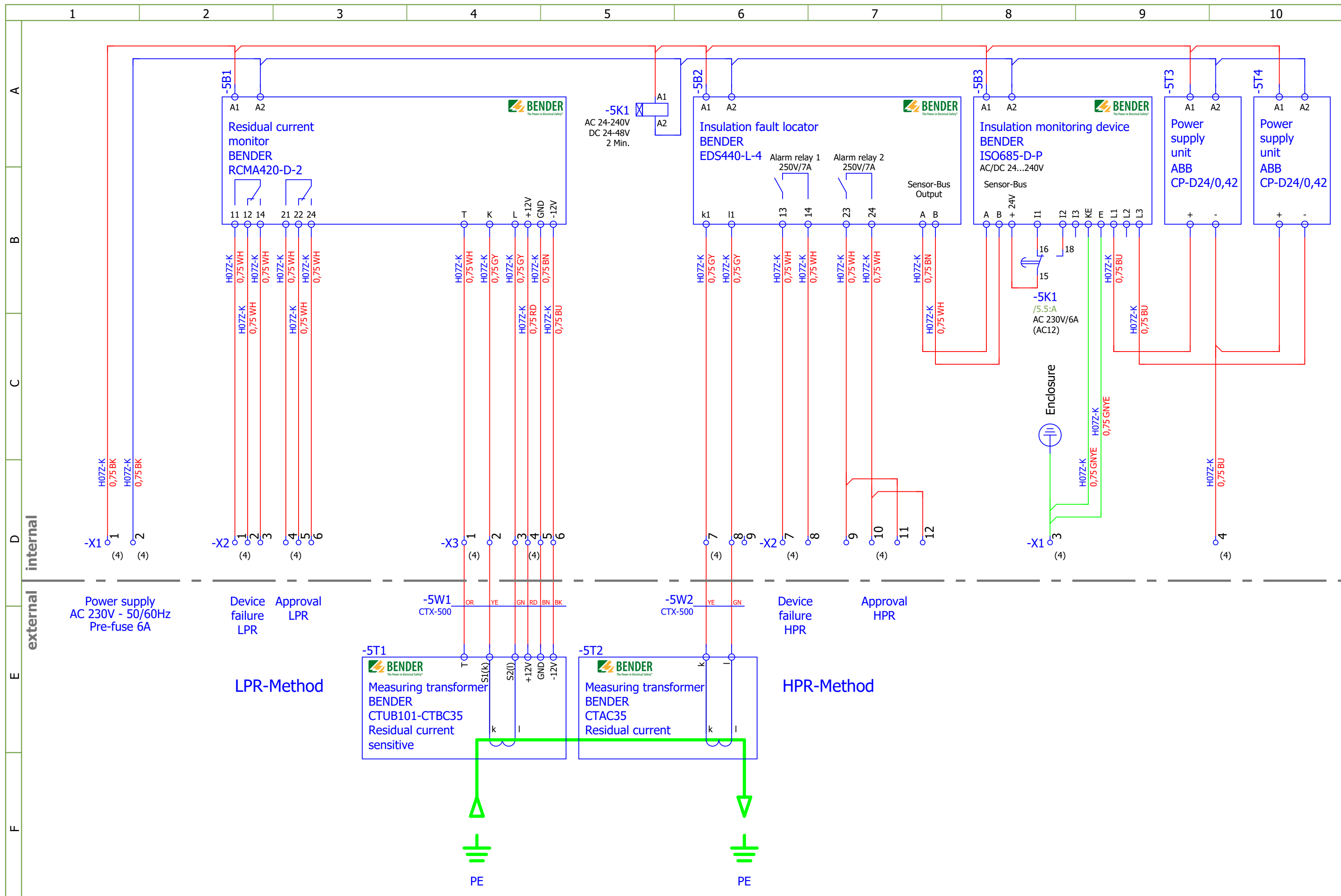
Doc.type | Part number | Doc.no | Rev.

ZFP\_B22080108-01\_03

= Box

+

Pg:



Rev.	Description	Date	Name	Scale	1: 1
		27.05.2021	TT		
			TT		



# Summarized parts list

Part number	Quantity	Designation	Type number	Manufacturer
R0002551	1	Time relay, on-delay AC 24-240V DC 24-48V	1W_AC 230V/6A (AC12)	ABB
R0002552	2	Power supply unit In: AC 90-264V DC 120-375V	Out: DC 24V/0,42A	ABB
B94043002	1	Residual current monitor	AC/DC 70-300V	BENDER
B91080202	1	Insulation fault locator		BENDER
B91067030	1	Insulation monitoring device		BENDER
B91067130	1	Insulation monitoring device		BENDER
B78120012	1	Measuring transformer Residual current sensitive	D=35mm, DC 12V	BENDER
B98110007	1	Measuring transformer Residual current	D=35mm	BENDER
B98110082	2	Connecting cable CTUB101	100cm Length,2x4 pole	BENDER
R0003982	3	Spring-cage terminal 2-conductor through terminal	0,25-2,5(4) mm <sup>2</sup> (L)	WAGO
R0003983	1	Spring-cage terminal 2-conductor Earth conductor terminal	0,25-2,5(4) mm <sup>2</sup> (PE)	WAGO
R0003980	7	Spring-cage terminal 6-conductor through terminal three-deck	0,25-2,5(4) mm <sup>2</sup> (L/L/L)	WAGO

A

B

C

D

E

F

Date	27.05.2021
Last user	TT
Creator	TT
Rev.	
Description	
Date	
Name	
Scale	1:1



Summarized parts list

Doc.type | Part number | Doc.no | Rev.

ZFP\_B22080108-01\_03

# Parts list

Weight: **2,19 kg**

Device tag	Quantity	Designation	Part number	Type number	Manufacturer
-5B1	1	Residual current monitor AC/DC 70-300V	B94043002	RCMA420-D-2	BENDER
-5B2	1	Insulation fault locator	B91080202	EDS440-L-4	BENDER
-5B3	1	Insulation monitoring device	B91067030	ISO685-D-P	BENDER
-5B3	1	Insulation monitoring device	B91067130	ISO685-S-P	BENDER
-5K1	1	Time relay, on-delay AC 24-240V DC 24-48V 1W_AC 230V/6A (AC12)	R0002551	CT-ERD.12	ABB
-5T1	1	Measuring transformer Residual current sensitive D=35mm, DC 12V	B78120012	CTUB101-CTBC35	BENDER
-5T2	1	Measuring transformer Residual current D=35mm	B98110007	CTAC35	BENDER
-5T3	1	Power supply unit In: AC 90-264V DC 120-375V Out: DC 24V/0,42A	R0002552	CP-D24/0,42	ABB
-5T4	1	Power supply unit In: AC 90-264V DC 120-375V Out: DC 24V/0,42A	R0002552	CP-D24/0,42	ABB
-5W1	1	Connecting cable CTUB101 100cm Length,2x4 pole	B98110082	CTX-500	BENDER
-5W2	1	Connecting cable CTUB101 100cm Length,2x4 pole	B98110082	CTX-500	BENDER
-X1	3	Spring-cage terminal 2-conductor through terminal 0,25-2,5(4) mm <sup>2</sup> (L)	R0003982	2002-1201	WAGO
-X1	1	Spring-cage terminal 2-conductor Earth conductor terminal 0,25-2,5(4) mm <sup>2</sup> (PE)	R0003983	2002-1207	WAGO
-X2	4	Spring-cage terminal 6-conductor through terminal three-deck 0,25-2,5(4) mm <sup>2</sup> (L/L/L)	R0003980	2002-3201	WAGO
-X3	3	Spring-cage terminal 6-conductor through terminal three-deck 0,25-2,5(4) mm <sup>2</sup> (L/L/L)	R0003980	2002-3201	WAGO



A  
B  
C  
D  
E  
F

Date	27.05.2021
Last user	TT
Creator	TT
Rev.	1:1

# Terminal diagram

<b>X1</b>										
Functional text	Target designation to	Connection point	Type number	Jumper Wire	Terminal	Cross section	Target designation to	Connection point	Page / Path	
			2002-1201	·	1	0,25-2,5(4) mm <sup>2</sup>	-5B1	A1	/5.1:D	
			2002-1201	·	2	0,25-2,5(4) mm <sup>2</sup>	-5B1	A2	/5.1:D	
			2002-1207	·	3	⊕ 0,25-2,5(4) mm <sup>2</sup>			/5.8:D	
							-5B3	KE		
							-5B3	E		
			2002-1201	·	4	0,25-2,5(4) mm <sup>2</sup>	-5T3	-	/5.10:D	

A  
B  
C  
D  
E  
F

Date	27.05.2021
Last user	TT
Creator	TT
Rev.	1:1



Terminal diagram

Doc.type | Part number | Doc.no | Rev.  
**ZFP\_B22080108 - \_03**



# Terminal diagram

X2										
Functional text	Target designation to	Connection point	Type number	Jumper	Wire	Terminal	Cross section	Target designation to	Connection point	Page / Path
			2002-3201	.		1	0,25-2,5(4) mm <sup>2</sup>	-5B1	11	/5.2:D
				.		2		-5B1	12	/5.2:D
				.		3		-5B1	14	/5.2:D
			2002-3201	.		4	0,25-2,5(4) mm <sup>2</sup>	-5B1	21	/5.3:D
				.		5		-5B1	22	/5.3:D
				.		6		-5B1	24	/5.3:D
			2002-3201	.		7	0,25-2,5(4) mm <sup>2</sup>	-5B2	13	/5.6:D
				.		8		-5B2	14	/5.7:D
				.		9		-5B2	23	/5.7:D
			2002-3201	.		10	0,25-2,5(4) mm <sup>2</sup>	-5B2	24	/5.7:D
				.		11				/5.7:D
				.		12				/5.7:D

A  
B  
C  
D  
E  
F

Date	27.05.2021
Last user	TT
Creator	TT
Rev.	1:1



Terminal diagram

# Terminal diagram

## X3

Functional text	Target designation to	Connection point	Type number	Jumper Wire	Terminal	Cross section	Target designation to	Connection point	Page / Path
	-5T1	T	2002-3201	.	1	0,25-2,5(4) mm <sup>2</sup>	-5B1	T	/5.4:D
	-5T1	S1(k)		.	2		-5B1	K	/5.4:D
	-5T1	S2(l)		.	3		-5B1	L	/5.4:D
	-5T1	+12V	2002-3201	.	4	0,25-2,5(4) mm <sup>2</sup>	-5B1	+12V	/5.4:D
	-5T1	GND		.	5		-5B1	GND	/5.5:D
	-5T1	-12V		.	6		-5B1	-12V	/5.5:D
	-5T2	k	2002-3201	.	7	0,25-2,5(4) mm <sup>2</sup>	-5B2	k1	/5.6:D
	-5T2	l		.	8		-5B2	l1	/5.6:D
				.	9				/5.6:D

Date	27.05.2021
Last user	TT
Creator	TT
Rev.	1:1



Terminal diagram

Doc.type | Part number | Doc.no | Rev.

ZFP\_B22080108 - \_03